













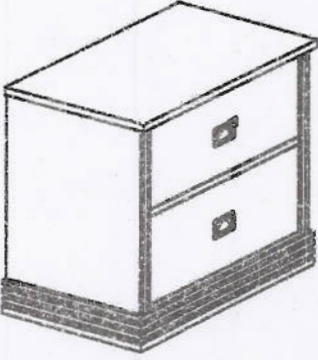







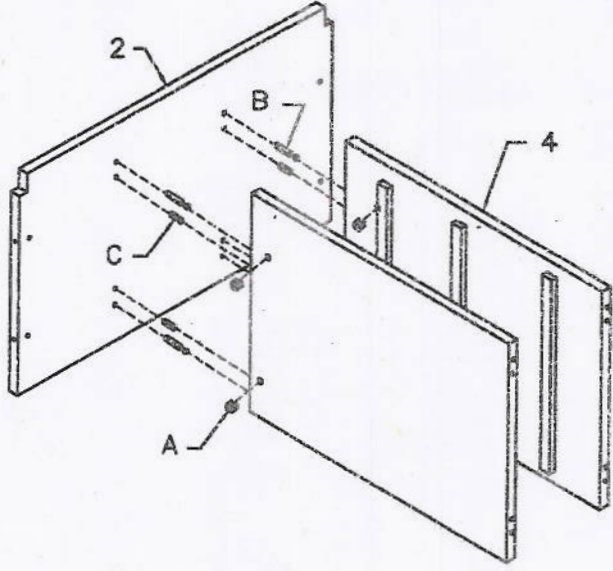
Assembly Instruction - Mission Bookcase

A  Ø15*12=20PCS	1 Top Panel  1PC	3 Side Frame (Left & Right)  2PCS	4 Upright Panel (Left & Right)  2PCS	6 Back panel  1PC		
B  Ø7.5*40=20PCS						
C  Ø8*30=8PCS	2 Fixed Shelf  1PC		5 Back panel  1PC	7 Drawer back panel  3PCS		
D  Ø6*1=24PCS						
E  16PCS	8 Drawer side panel  6PCS	9 Drawer bottom panel  3PCS	12 Bottom box  1PC			
F  Ø6*12=22PCS						
G  Ø5/32*1-1/4=3PCS	10 Drawer face panel  3PCS	11 Removable Shelf  4PCS				
H  25*25*20=3PCS						

Assembly Step

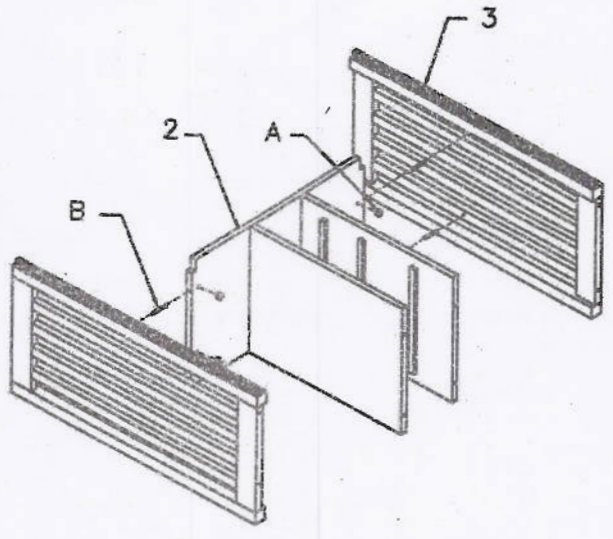
1) Assemble (2) and Upright panel (4) using Cam Lock (A), (B) and Dowel Pin (C) as shown.

NOTE: Upright panel (4)
1 Left & 1 Right

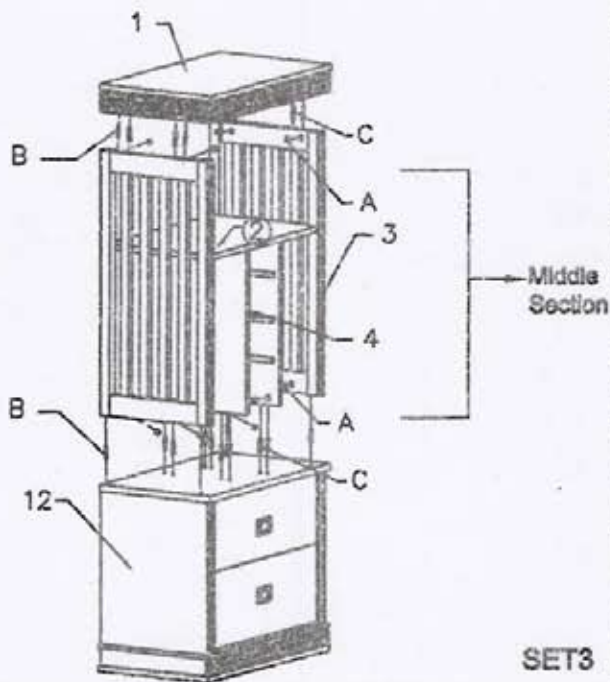


1) Assemble Side Frame (3) onto Shelf (2) and upright panel (4) using Cam Lock (A) and (B) as shown.

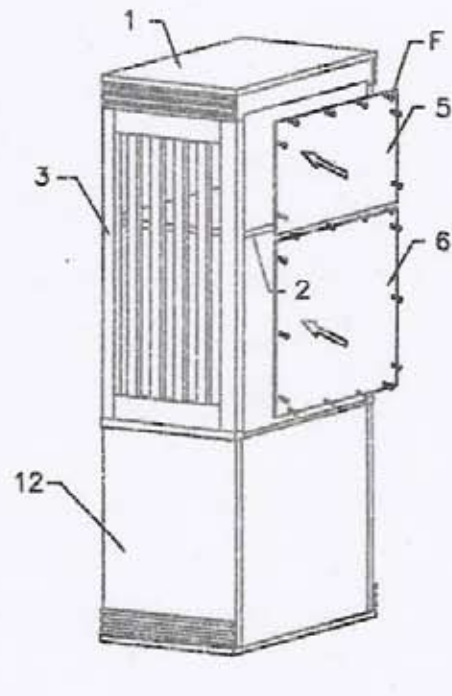
NOTE: Side Frame (3)
1 Left & 1 Right



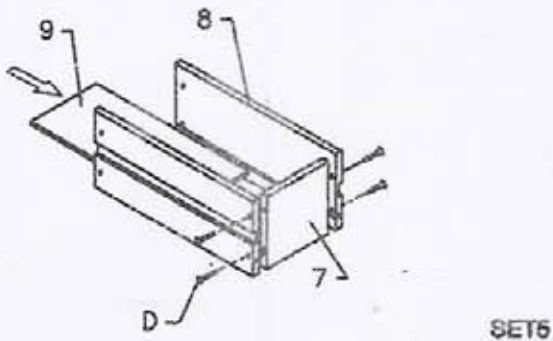
1) Add Top panel (1) and Bottom Box (12) to middle section, using Cam Lock (A), (B) and (C).



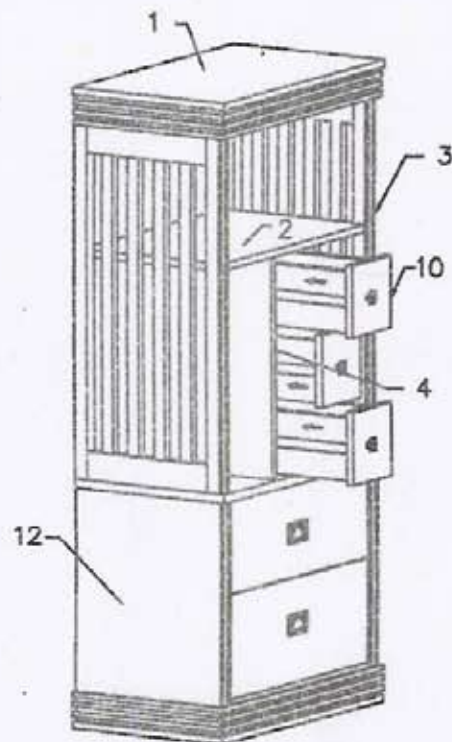
1) Assemble Back Panel (5) and (6) using (F) as shown.



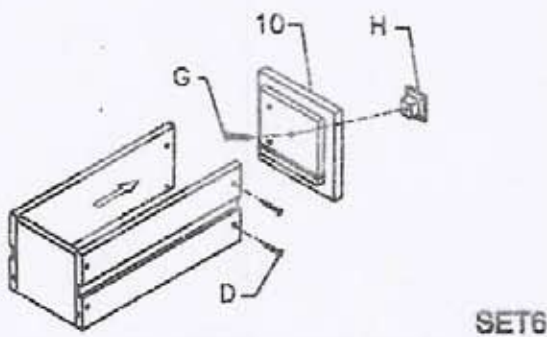
1) Assemble drawer side panel (8) and back panel using screw (D), and then insert bottom panel (9).



1) Place Drawers into the box.

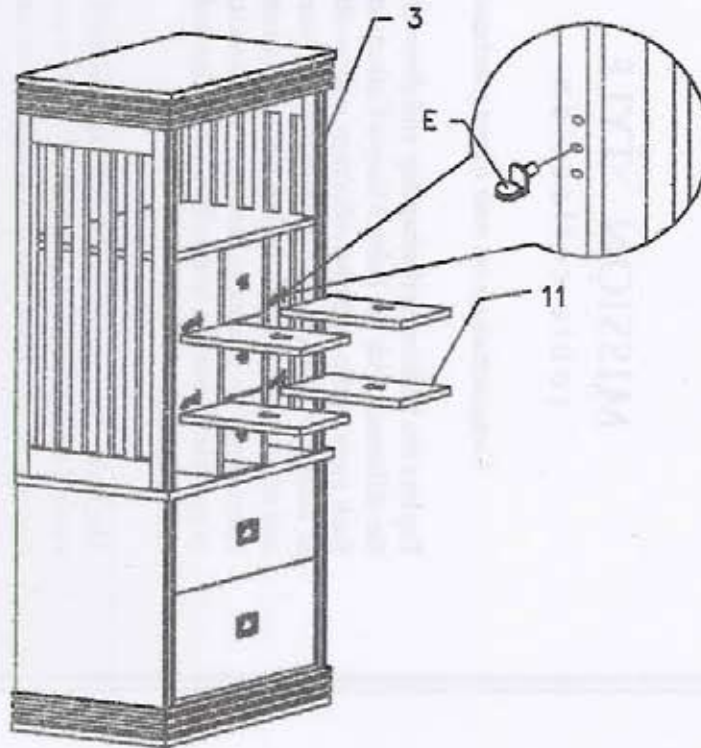


1) Assemble Front Panel (10) using Screw (D).
2) Assemble (H) using (G).



Assembly Step

1) Place Shelf (11) into Bookcase as shown.



SETB

1) Mission Bookcase

