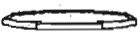





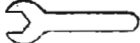


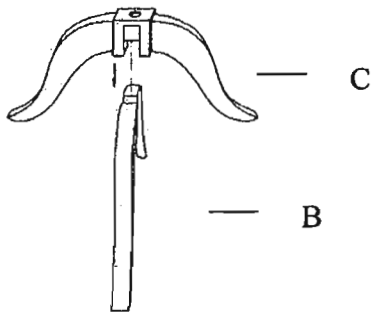
# Assembly Instructions

Laying out all the parts and hardware and identifying each part as shown may help you as you assemble your frame.

## Part List

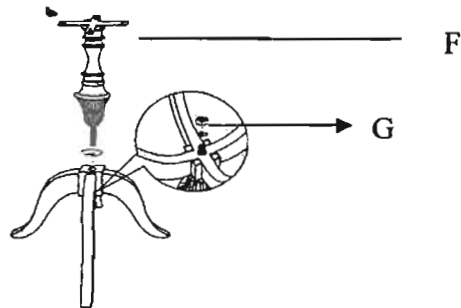
ITEM	PART	DESC.	QTY	ITEM	PART	DESC.	QTY
A		Wooden table top	1	E		Nut 1/4" x 3/8"	4
B		Metal Leg	1	F		body	1
C		Metal leg	1	G		NUT	1
D		Wrench	1				

### STEP ONE



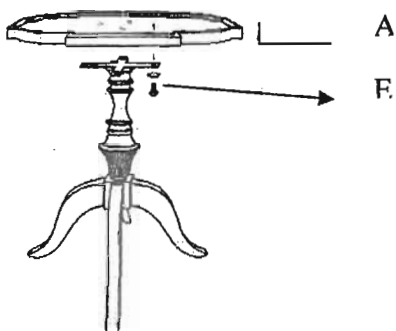
Connect two metal legs as shown above, make sure they are tightened enough.

### STEP TWO



Rotate the body "F" to incorporate with the metal base; screw them at the bottom with big nut.

### STEP THREE



Connect the overall base to the table top. Using four small nuts.

### STEP FOUR

