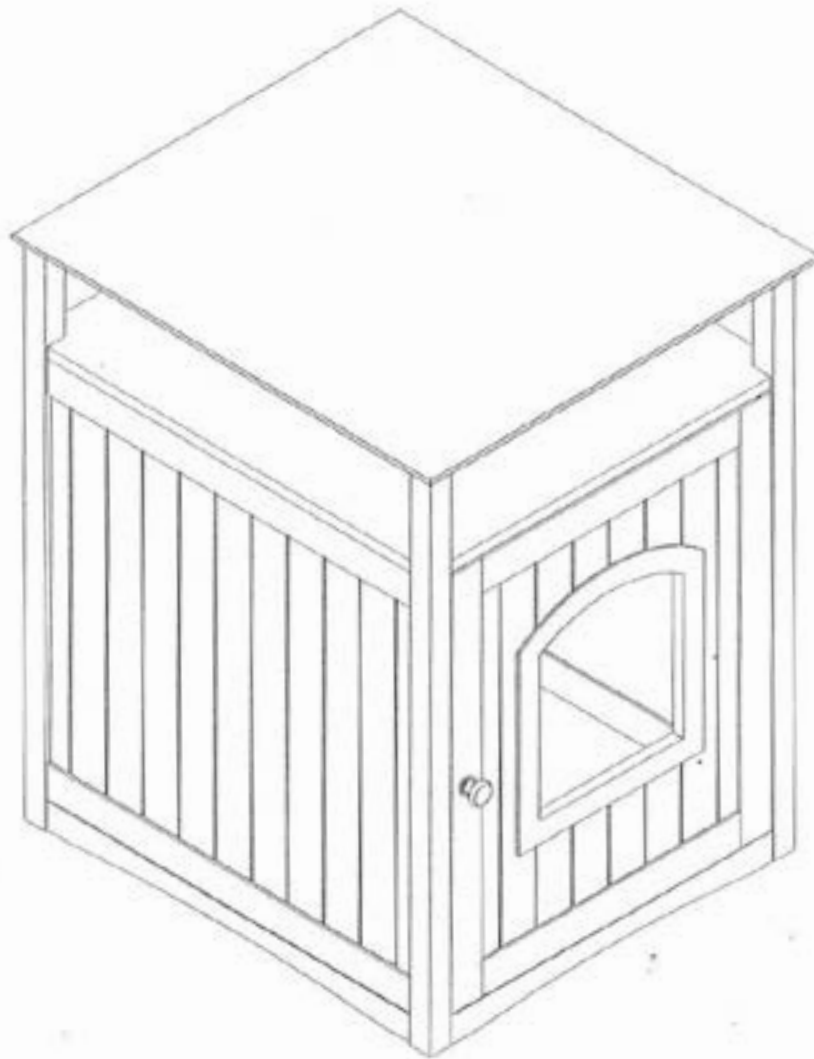


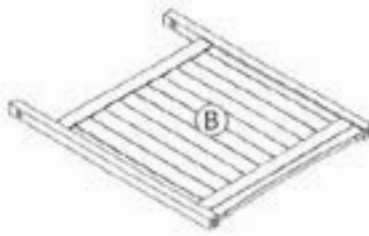
# ASSEMBLY INSTRUCTIONS



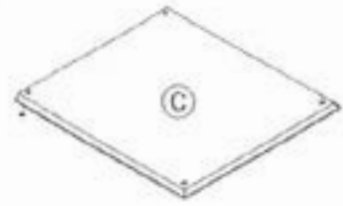
## COMPONENTS



Left Frame 1 Pc



Right Frame 1 Pc



Top Panel 1 Pc



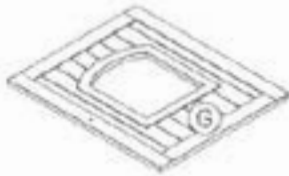
Floor Panel 1 Pc



Back Panel 1 Pc



Shelf Panel 1 Pc



Door 1 Pc

## HARDWARE



1 : Wood Dowel 4 Pcs



2 : CAM Bolt 12 Pcs



3 : CAM Lock 8 Pcs



4 : Bolt 1 Pc



5 : Knob 1 Pc



6 : Allen Key 1 Pc

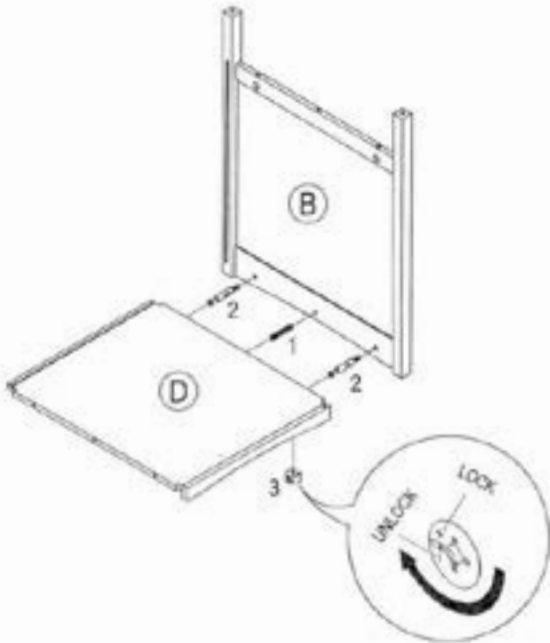


7 : Pin 2 Pcs

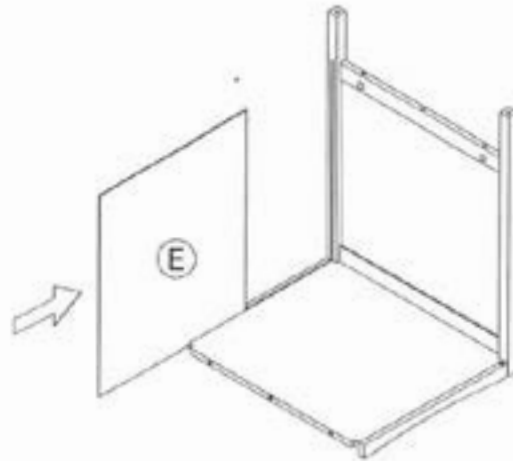


8 : CAM Lock 4 Pcs

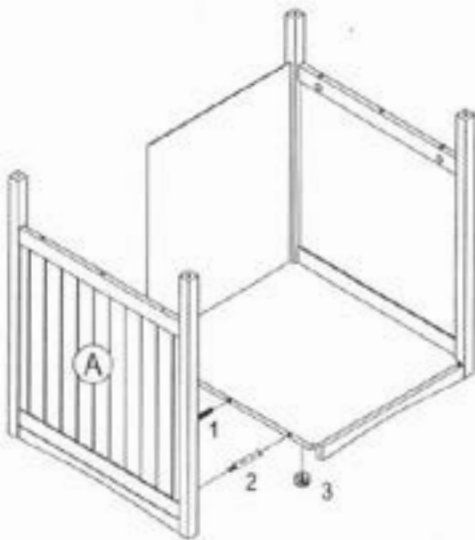
STEP-1



STEP-2



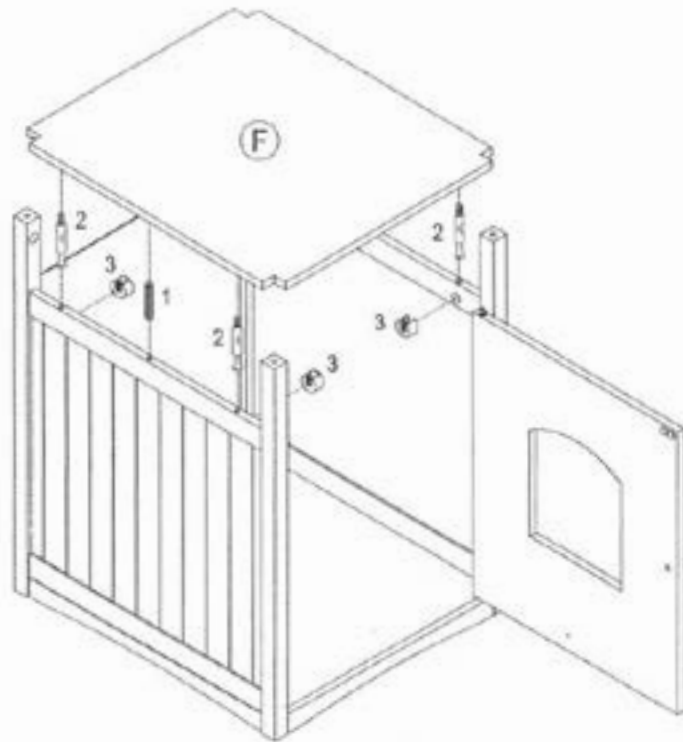
STEP-3



STEP-4



STEP-5



STEP-6

