

TOUCH OF CLASS

ITEM NO.: 4221

PARTS LIST

<u>LETTER</u>	<u>DESC.</u>	<u>Q'TY</u>	<u>LETTER</u>	<u>DESC</u>	<u>Q'TY</u>
A	TOP UNIT	1	3	SPRING WASHER	8
B	LEG	4	4	WASHER	8
C	RACK .	1	5	HEX KEY WRENCH	1
D	SHELF .	1	6	WOOD DOWEL	4
1	LARGE ALLEN HEAD SCREW	8	7	PIN	4
2	SMALL ALLEN HEAD SCREW	2			

ASSEMBLY INSTRUCTIONS

STEP 1 -

1. TURN TOP UNIT (A) UPSIDE DOWN ON A SOFT WORKING SURFACE.
2. ATTACH LEGS (B) TO TOP UNIT (A) WITH LARGE ALLEN HEAD SCREWS (1), SPRING WASHERS (3), WASHERS (4) AND TIGHTEN WITH HEX KEY WRENCH (5) PROVIDED.
3. TURN THE ASSEMBLY RIGHT SIDE UP.

STEP 2 -

4. REMOVE DRAWER FROM TOP UNIT (A).

STEP 3 -

5. INSERT WOOD DOWELS (6) INTO PREDRILLED HOLES IN RACK (C).
6. ATTACH RACK (C) TO SIDE OF TOP UNIT (A) WITH SMALL ALLEN HEAD SCREWS (2) AND TIGHTEN WITH HEX KEY WRENCH (5) PROVIDED.

STEP 4 -


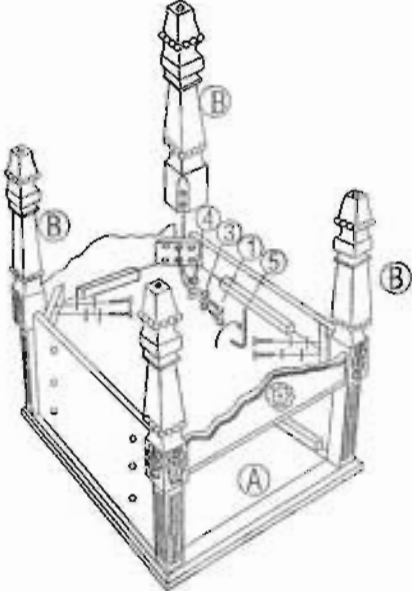
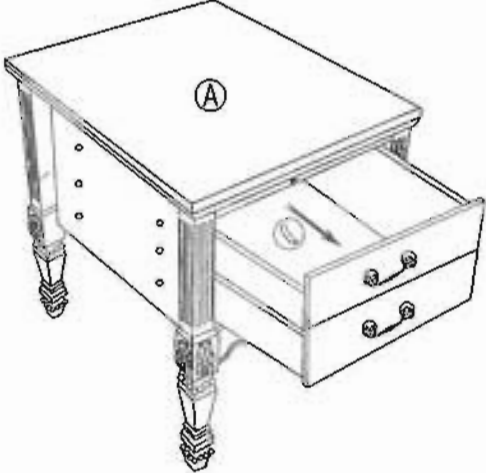





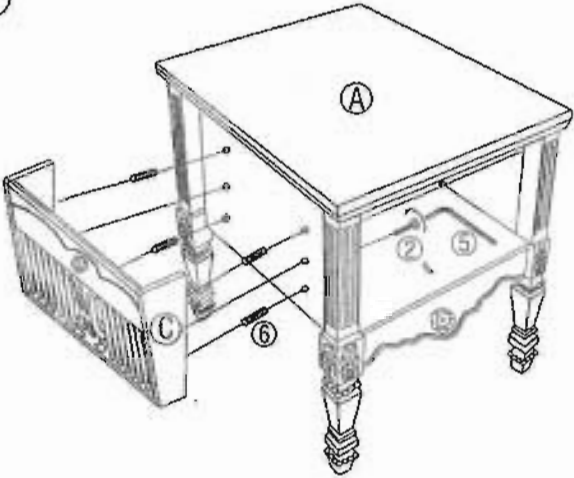
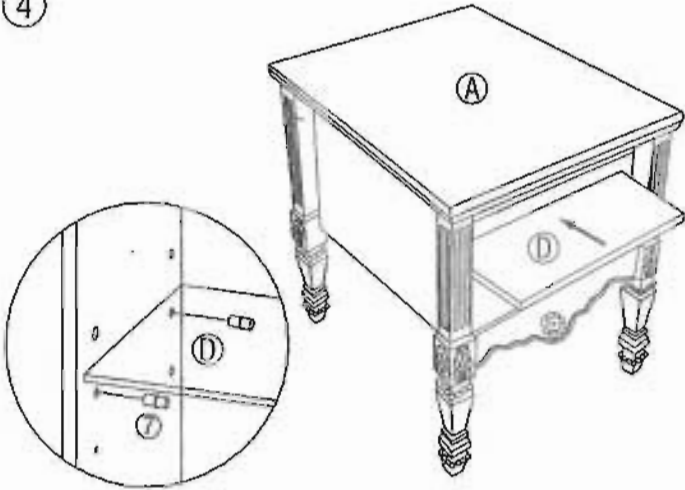




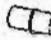
7. INSERT PINS (7) INTO PREDRILLED HOLES IN SIDE PANELS.
8. PLACE SHELF (D) ON PINS (7).

STEP 5 -

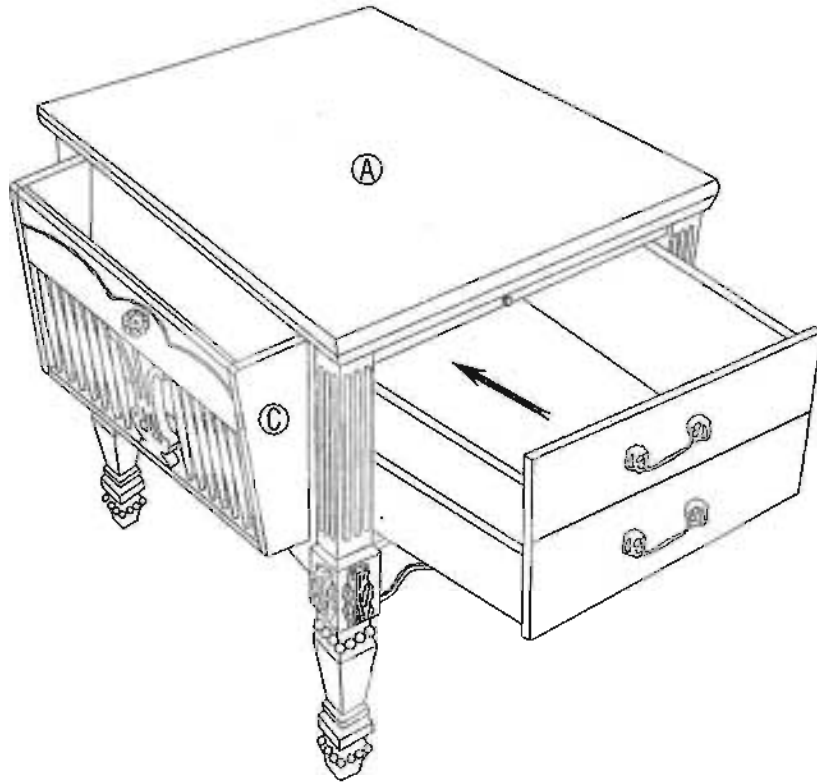
9. INSERT DRAWER INTO TOP UNIT (A).

ITEM NO:4221

ASSEMBLY INSTRUCTION

	PARTS	QTY	①	②
A		1pc		
B		4pcs		
C		1pc		
D		1pc		
1		8pcs		
2		2pcs		
3		8pcs		
4		3pcs		
5		1pc		
6		4pcs		
7		4pcs		

5



6

