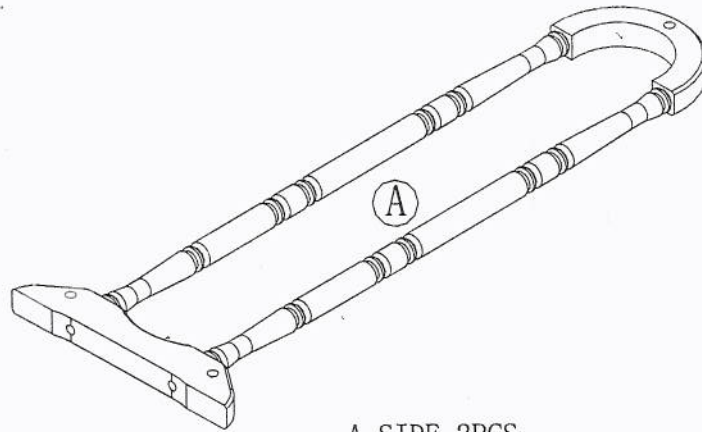


QUILT RACK

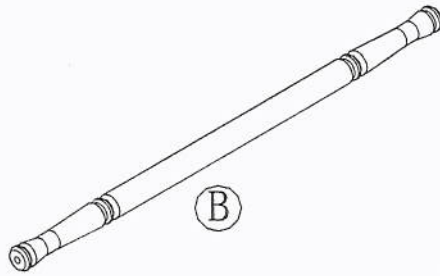
#1093 (CHERRY), #1093K (OAK),

#3097 (WHITEWASH)

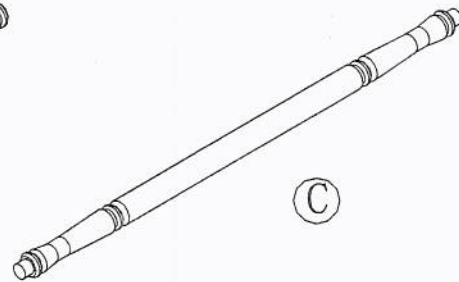
PARTS LIST:



A. SIDE 2PCS



B. BRACE POST 3PCS



C. ROATE POST 4PCS



a. MACHINE SCREW 6PCS

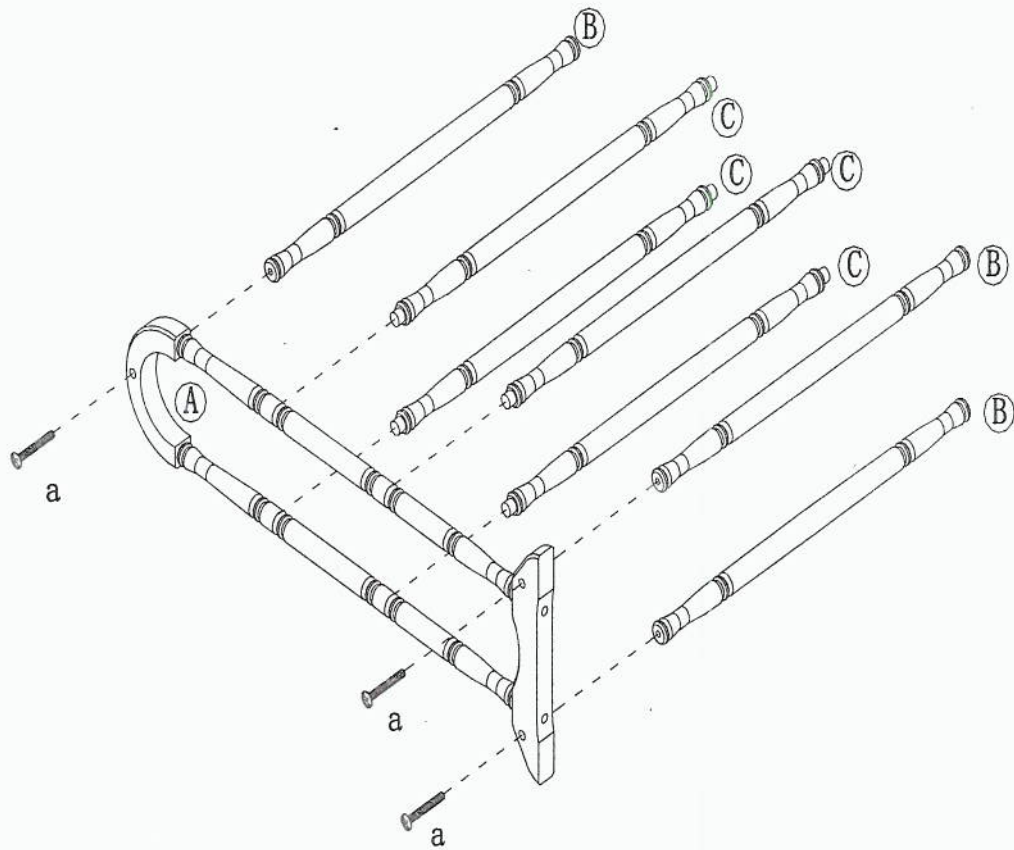


b. WOOD PLUG 6PCS

ASSEMBLY INSTRUCTIONS

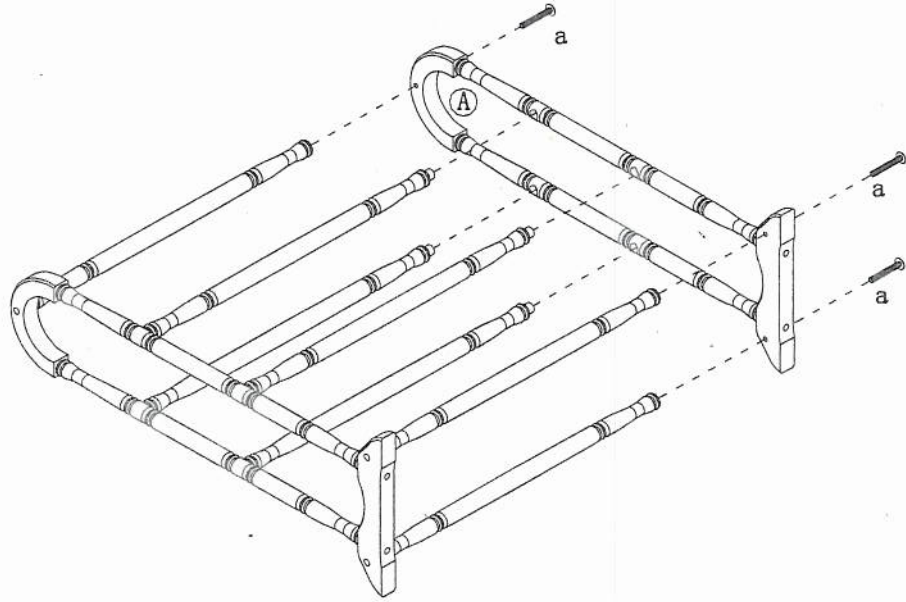
THANK YOU FOR PURCHASING THIS QUALITY PRODUCT. PLEASE CHECK ALL PACKING MATERIAL CAREFULLY FOR PARTS WHICH MAY HAVE CAME LOOSE INSIDE THE CARTON DURING SHIPMENT. COUNT ALL PARTS AND HARDWARE, COMPARE WITH PARTS LIST TO BE SURE ALL PARTS ARE PRESENT.

STEP 1 –



1. ATTACH BRACE POSTS (B) TO LEFT SIDE (A) WITH MACHINE SCREWS (a) AND TIGHTEN.
2. INSERT ROATE POSTS (C) TO LEFT SIDE (A).

STEP 2 –



3. REPEAT POINT (1) & (2) TO ATTACH BRACE POSTS (B) AND ROATE POST (C) TO RIGHT SIDE (A).

STEP 3 –

4. COVER SCREW HOLES WITH WOOD PLUGS (b).

