



BROOKSIDE DINING CHAIR

Model #4815-802 Oval Fossil

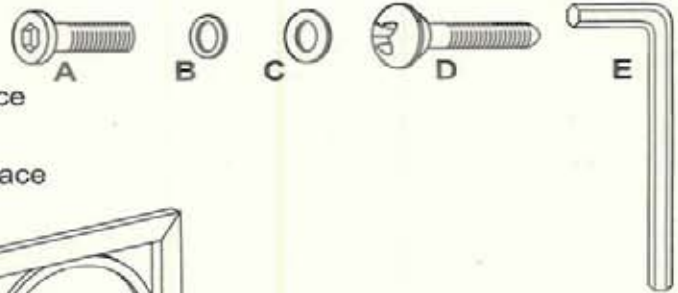
Examine all packaging material for small parts that may have come loose during shipment. Periodic checks are recommended to insure that all components are in proper position, tight and free from damage. Keep this assembly instruction for future reference. Adult assembly is required. Customer Service Phone Number: 502-562-0000

HARDWARE LIST

- A (12) Allen Bolts 1/4" x 5/8"
- B (12) Spring Washers 1/4"
- C (12) Flat Washers 1/4"
- D (4) Wood Screws
- E (1) Allen Wrench

PARTS LIST

- G (1) Chair Back
- H (2) Seat Rails
- J (1) Left Support Brace
- K (1) Front Leg Panel
- L (1) Seat Cushion
- M (1) Right Support Brace



STEP 1

Begin assembly by attaching each Seat Rail (H) to the Chair Back (G) using 1 Allen Bolt (A), 1 Spring Washer (B) & 1 Flat Washer (C) per each side. Do not fully tighten bolts for this step.

STEP 2

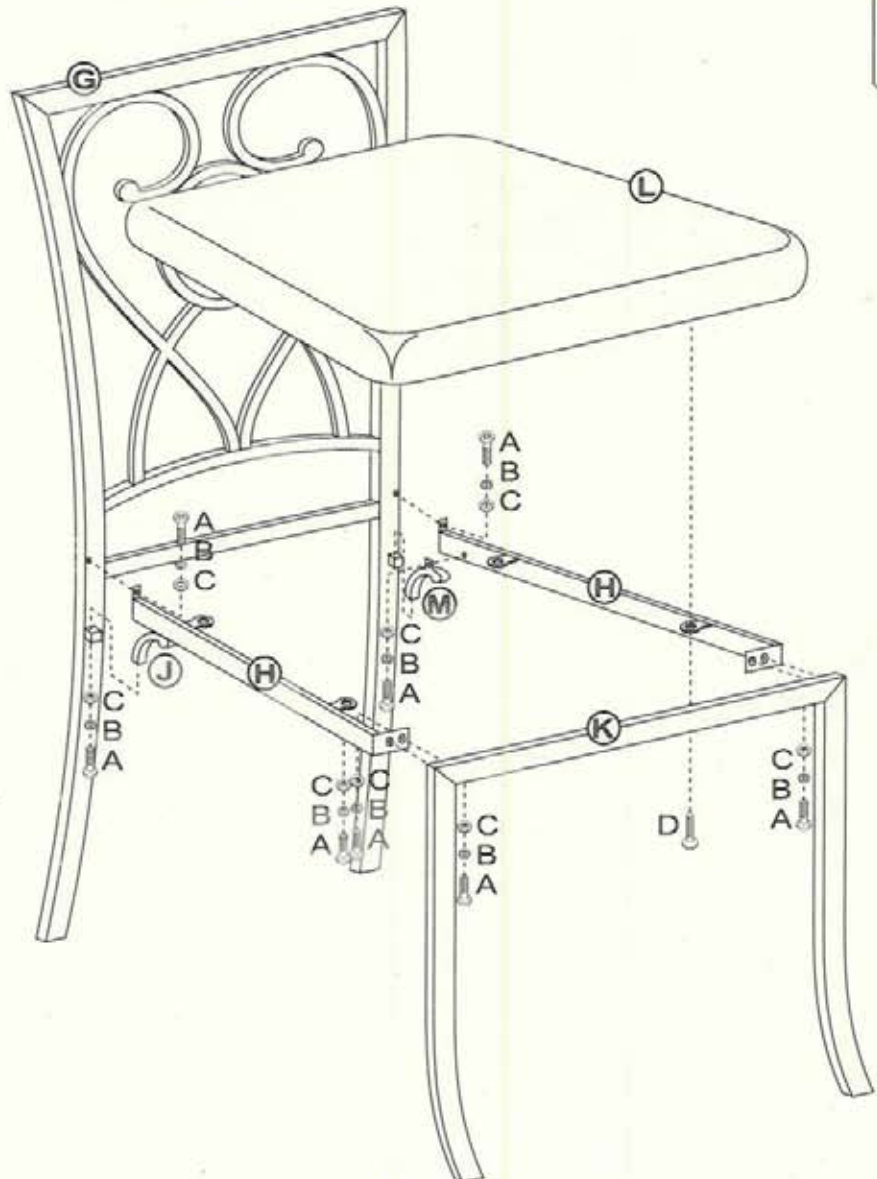
Next, attach each Left & Right Support Brace (J & M) to the Chair Back (G) by sliding in place and securing with 1 Allen Bolt (A), 1 Spring Washer (B) & 1 Flat Washer (C) per each bottom side. Do not tighten bolts. Also secure each Brace to the Chair Rails (H) from the inside using 1 Allen Bolt (A), 1 Spring Washer (B) & 1 Flat Washer (C) per each side. Do not fully tighten bolts.

STEP 3

Attach the Front Leg Panel (K) to each Seat Rail (H) using 2 Allen Bolts (A), 2 Spring Washers (B) & 2 Flat Washers (C) per each side. Do not fully tighten bolts. Also, secure from the bottom using 1 Allen Bolt (A), 1 Spring Washer (B) & 1 Flat Washer (C) per each side. Tighten all bolts.

STEP 4

Finally attach the Seat Cushion (L) to the top of each Seat Rail (H) using 4 Wood Screws (D) to secure in place. Tighten all screws only using a phillips head screwdriver. The assembly is now complete.



CARE & MAINTENANCE: The touch of a soft cloth is all the maintenance the finish will ever need. Please do not use harsh or abrasive cleaners for

TOC20111221