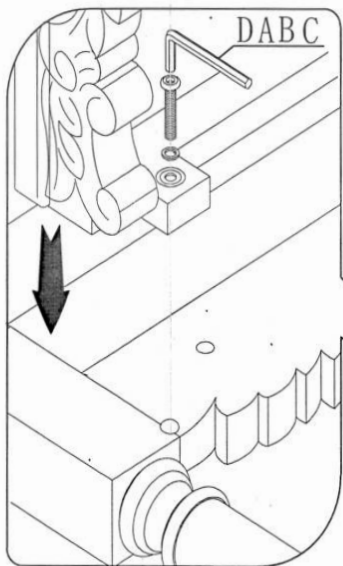
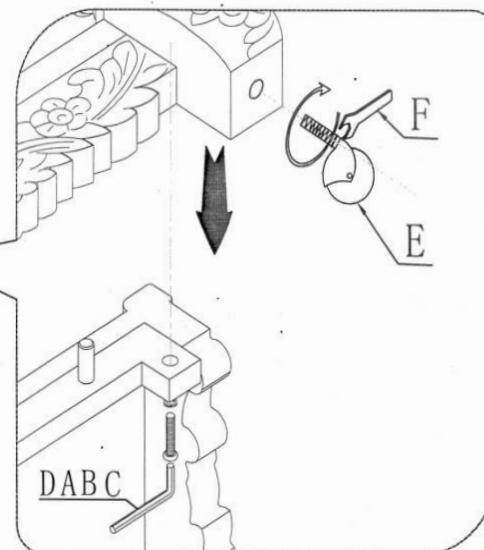
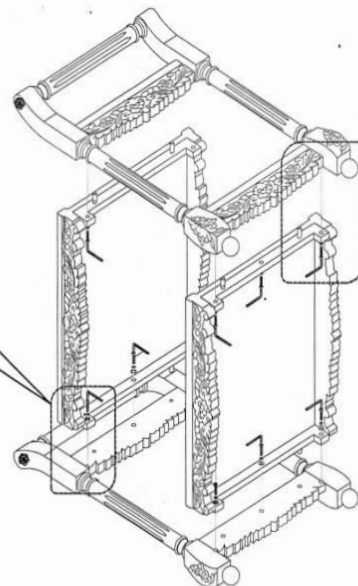


# TC21 ASSEMBLY INSTRUCTION

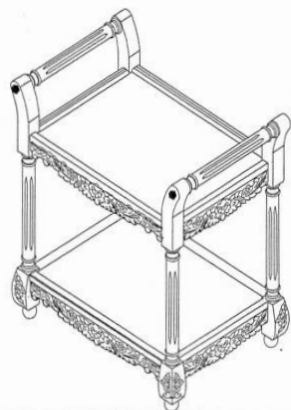








Step 1



Step 2

Final



NO.	A	B	C	D	E	F
hardware						
QTY	12	12	12	1	4	1
Size	1/4*1-1/4"	1/4"	1/4"*16	M4	50	14mm

TOC20120718