


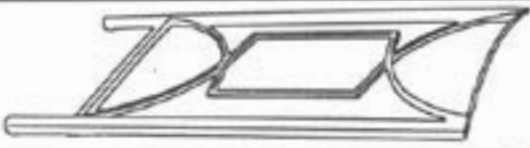



# ASSEMBLY INSTRUCTIONS

## PRE-ASSEMBLY PREPARATION:

Make sure all parts are included before assembly.

Recommended two people to assemble the product.

warning: Small parts are contained. Keep away from children.

	PARTS	QTY
A		1PC
B		2PCS
C		1PC
1		8PCS
2		1PC

## Step By Step Assembly Instructions

