


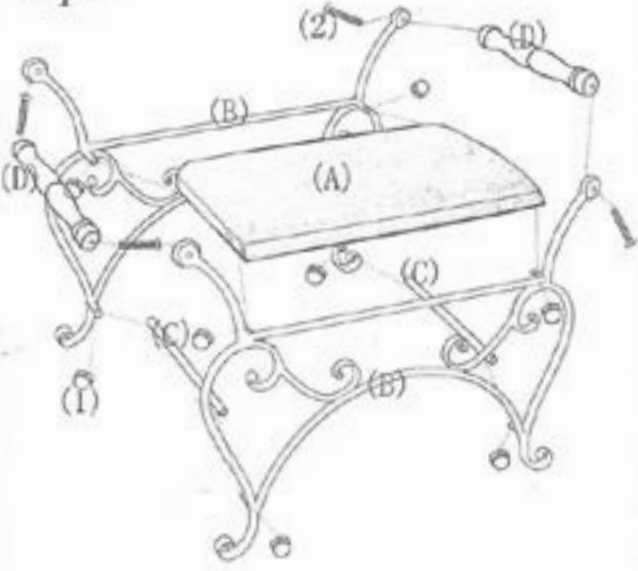



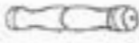




ASSEMBLY INSTRUCTIONS

PRE-ASSEMBLY PREPARATION:

Make sure all parts are included before assembly.

Recommended two people to assemble the product.

warning: Small parts are contained. Keep away from children.

	PARTS	QTY	Step By Step Assembly Instructions
A		1PC	step1: 
B		2PCS	
C		2PCS	finish: 
D		2PCS	
1		8PCS	
2		4PCS	
3		1PC	
4		1PC	