

# ASSEMBLY INSTRUCTION

---

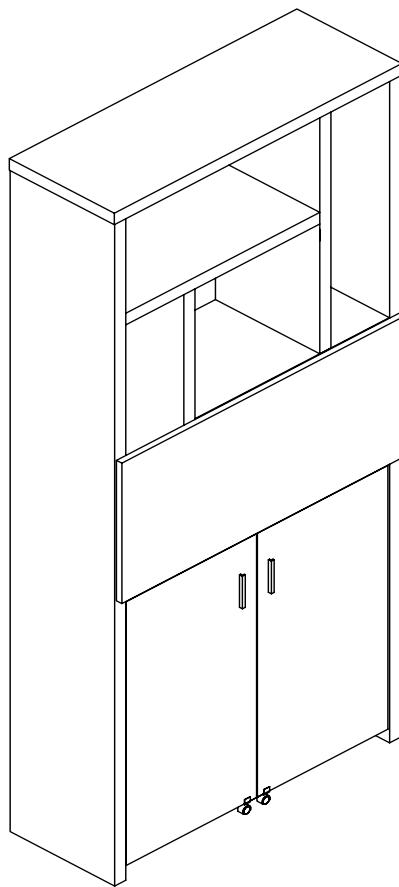
## PLEASE READ BEFORE ASSEMBLING!

Tip #1: Make sure you've taken all the pieces and hardware out of its packaging before discarding the box.

Tip #2: Using page 2 and/or page 3 of instruction manual make sure all pieces and hardware are accounted for.

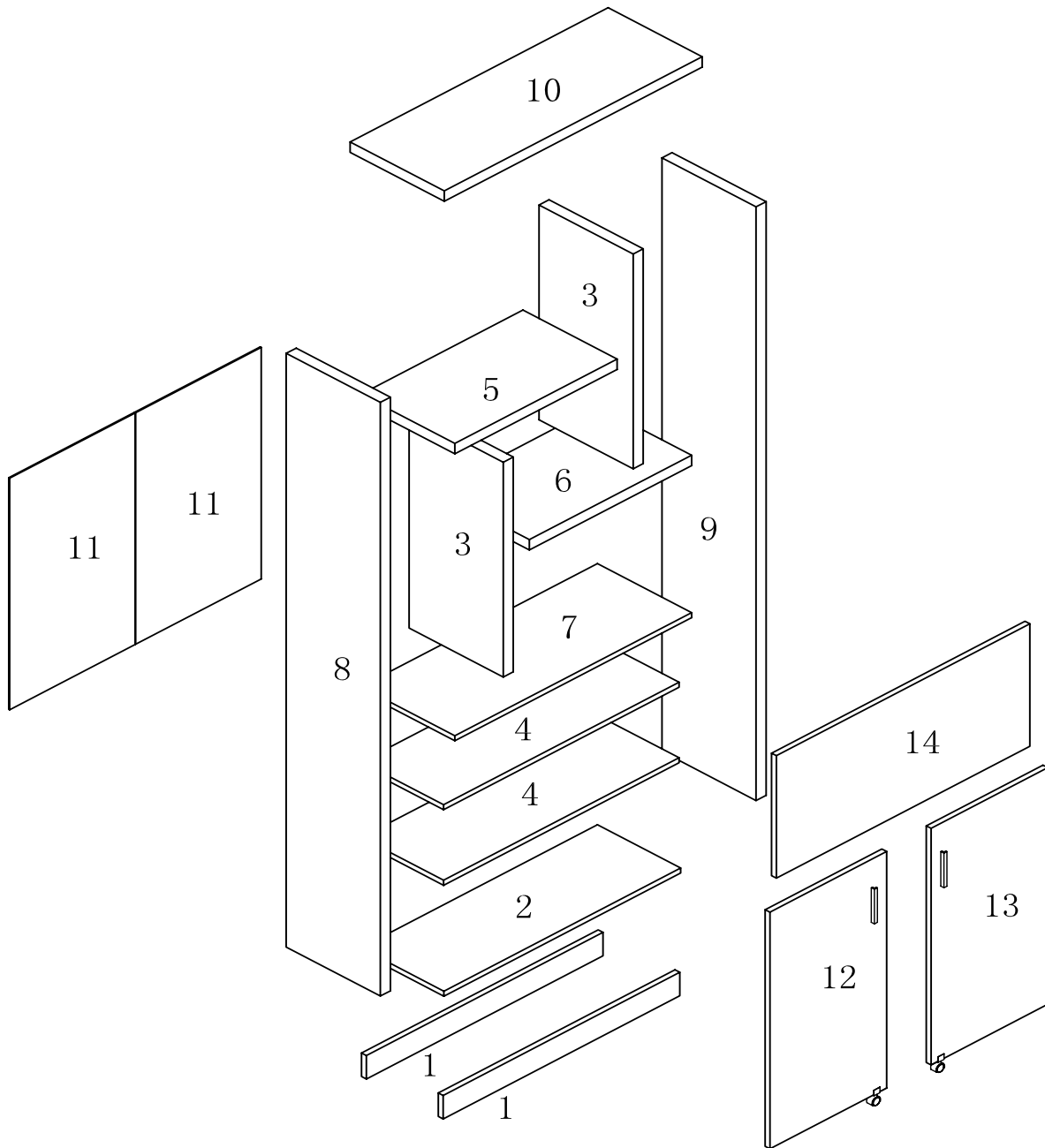
Tip #3: Read manual before assembling, it helps!

ITEM#: 11398



# PARTS IDENTIFICATION

ITEM#: 11398


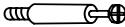



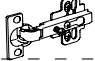


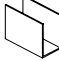





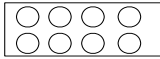
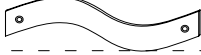
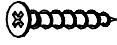
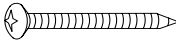
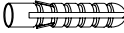



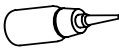


(1)	2pcs	(6)	1pc	(11)	2pcs
(2)	1pc	(7)	1pc	(12)	1pc
(3)	2pcs	(8)	1pc	(13)	1pc
(4)	2pcs	(9)	1pc	(14)	1pc
(5)	1pc	(10)	1pc		

PAGE: 2 OF 8

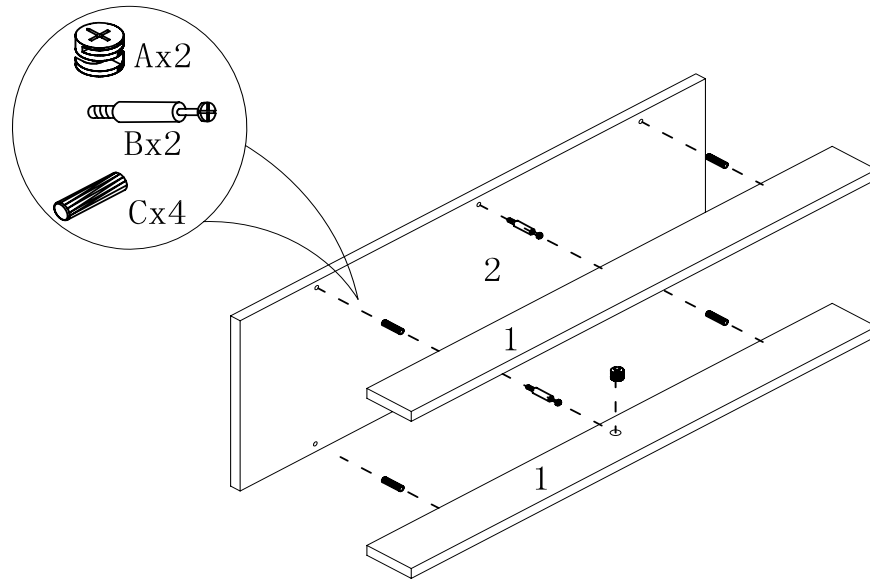
# HARDWARE IDENTIFICATION

ITEM#: 11398

A		∅15	22pcs
B		L29	22pcs
C		∅8x25	22pcs
D		∅7x58	12pcs
E		Z1016	20pcs
F		∅35	4sets
G		96#	2pcs
H		M4X22	4pcs
I			2pcs
J			2pcs
K		∅5	8pcs
L			2sets
M			2pcs
N		∅3x14	16pcs
P		∅18	12pcs
Q			1pc
R		∅4x25	1pc
S		∅5x40	1pc
T		∅8x40	1pc
U		∅4x16	16pcs
V		M10	1pc
W		∅3x16	4pcs
X		Glue: For securing please apply to wood dowel first before inserting into panel	1pc

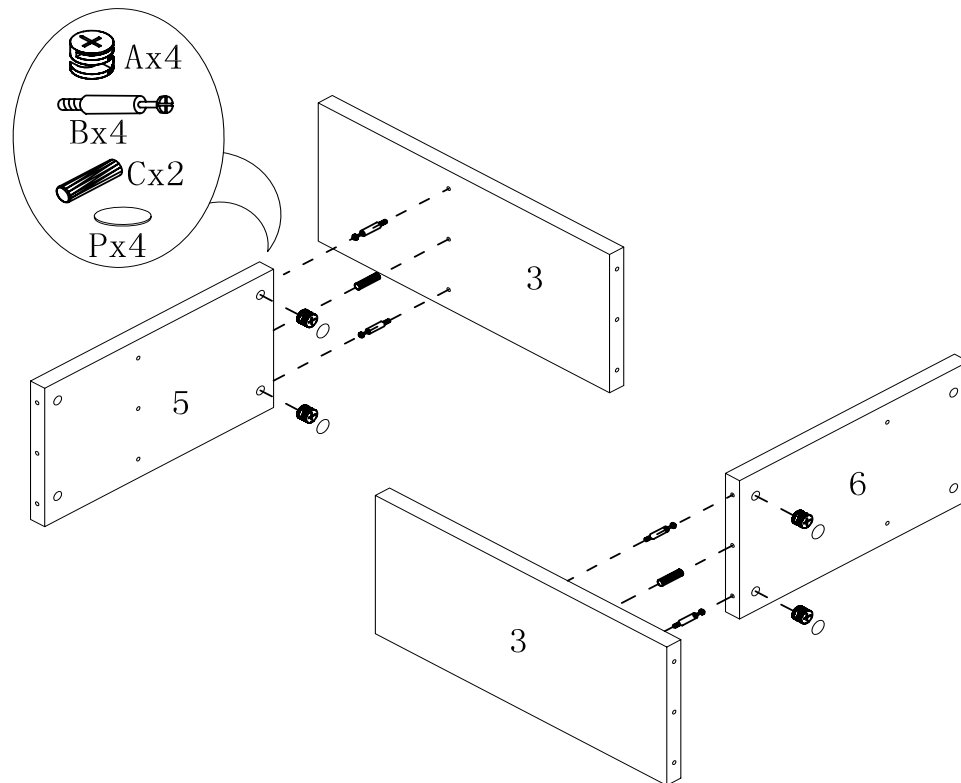
# ASSEMBLY INSTRUCTION

ITEM#: 11398



STEP1

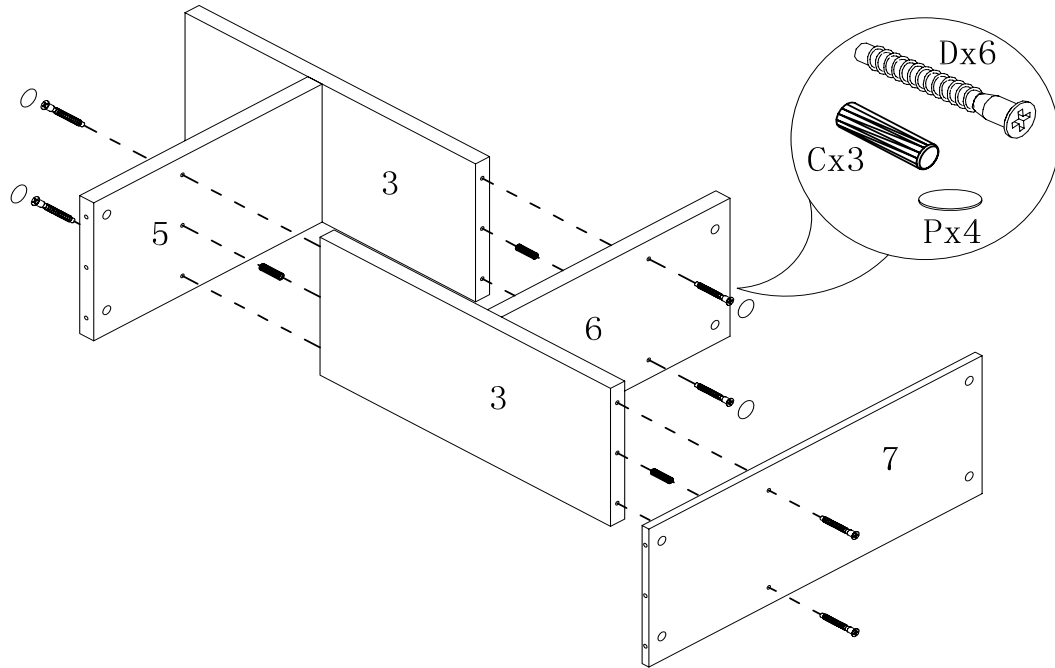
STEP2



PAGE: 4 OF 8

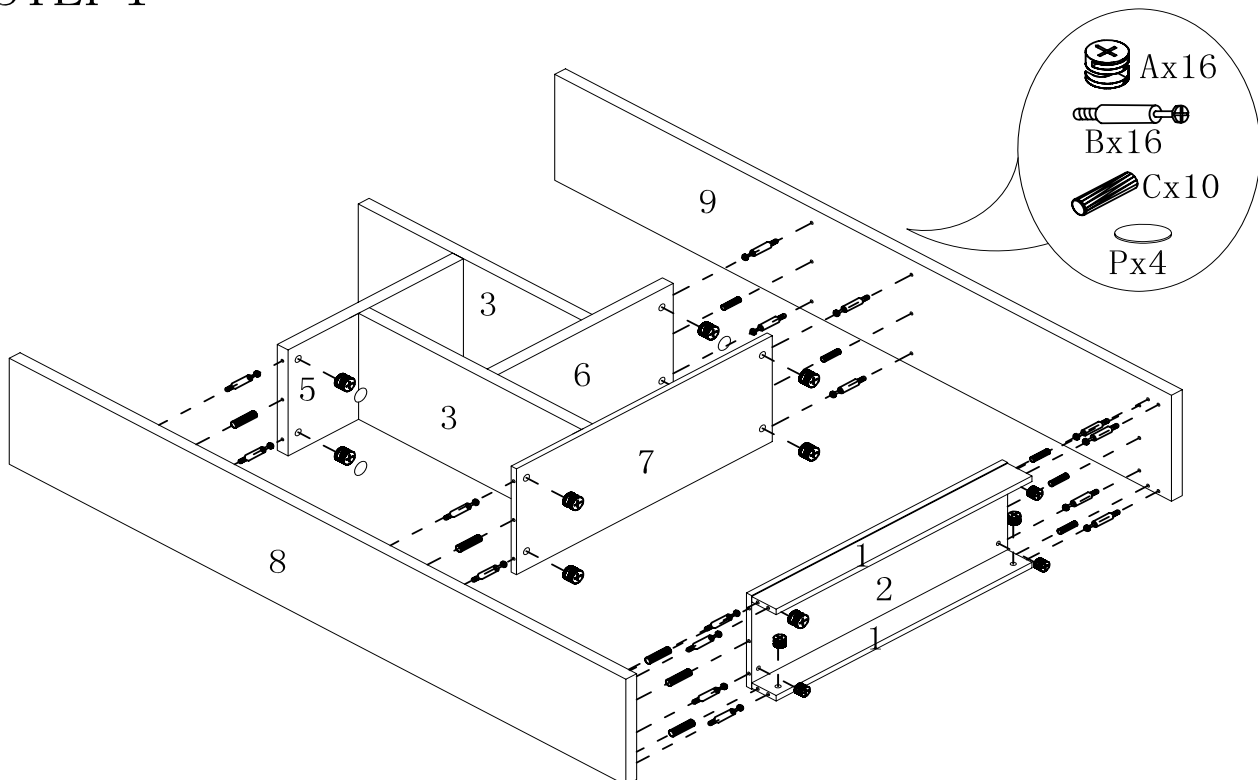
# ASSEMBLY INSTRUCTION

ITEM#: 11398



STEP3

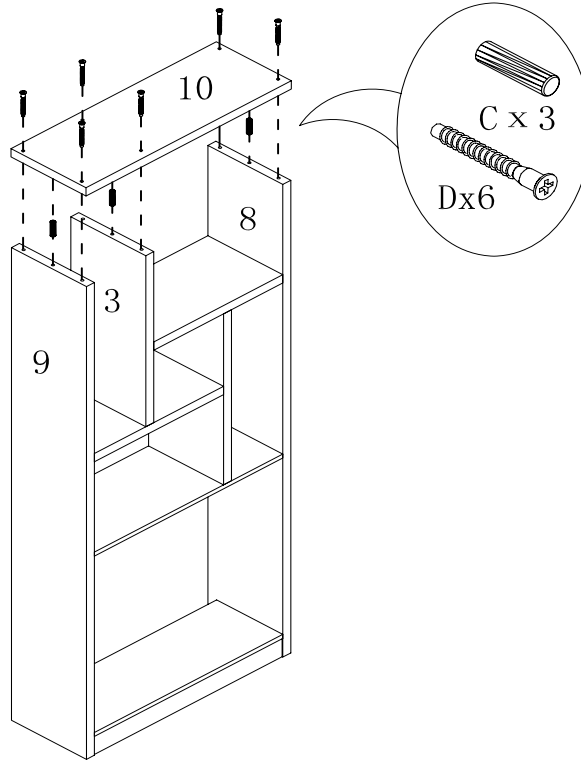
STEP4



PAGE: 5 OF 8

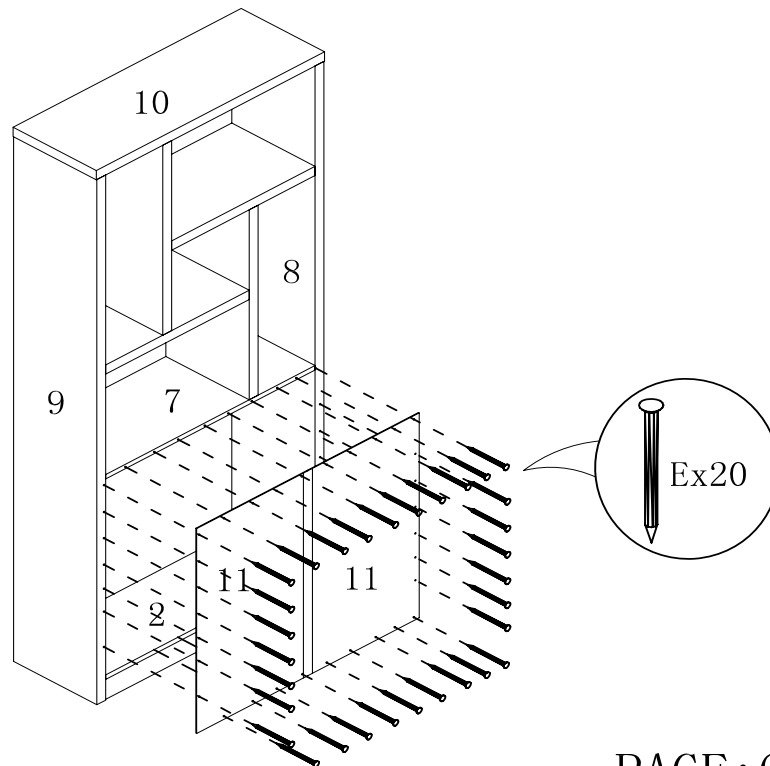
# ASSEMBLY INSTRUCTION

ITEM#: 11398



STEP5

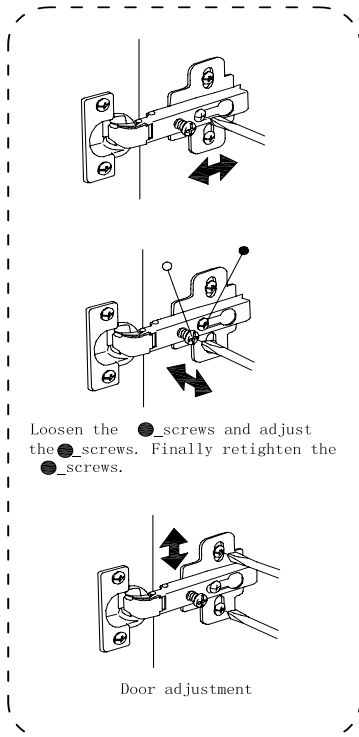
STEP6



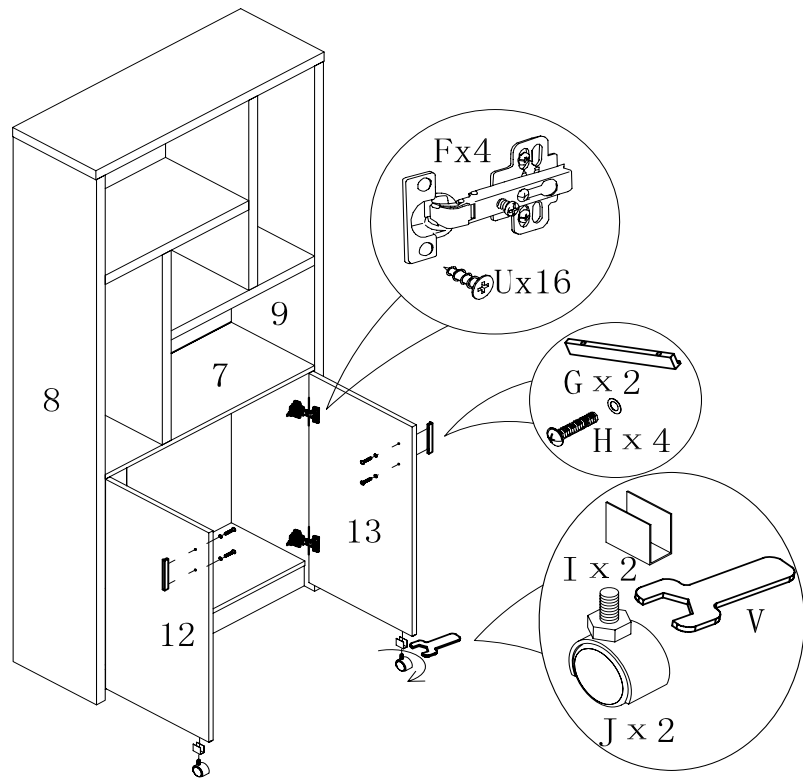
PAGE: 6 OF 8

# ASSEMBLY INSTRUCTION

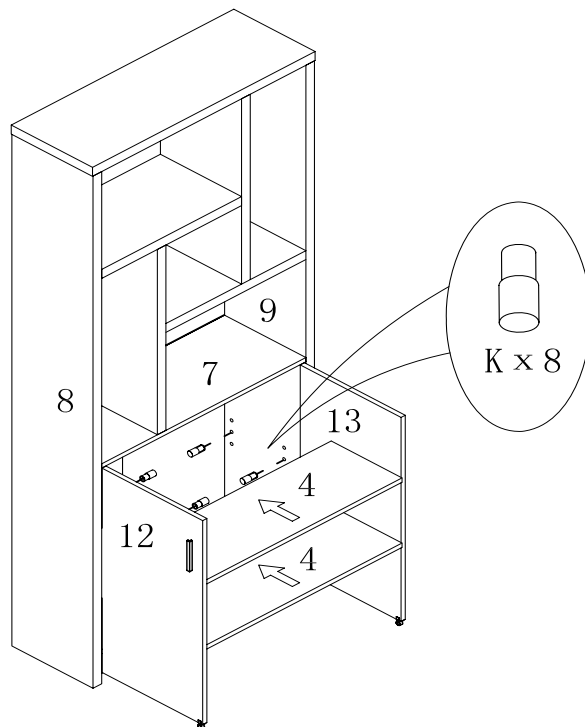
ITEM#: 11398



STEP7



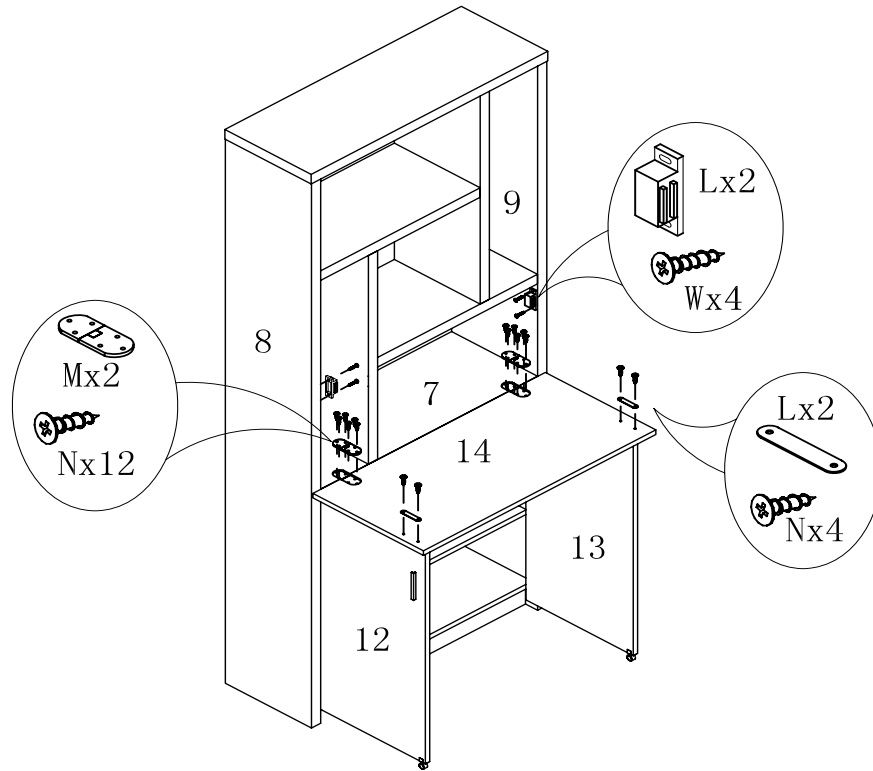
STEP8



PAGE:7 OF 8

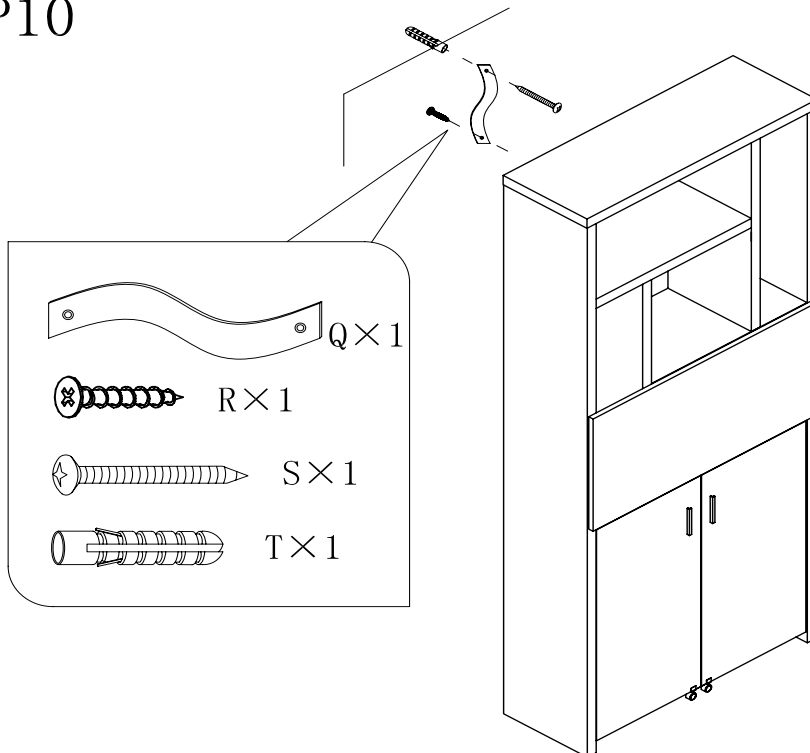
# ASSEMBLY INSTRUCTION

ITEM#: 11398



STEP9

STEP10



PAGE:8 OF 8