

# ASSEMBLY INSTRUCTION

---

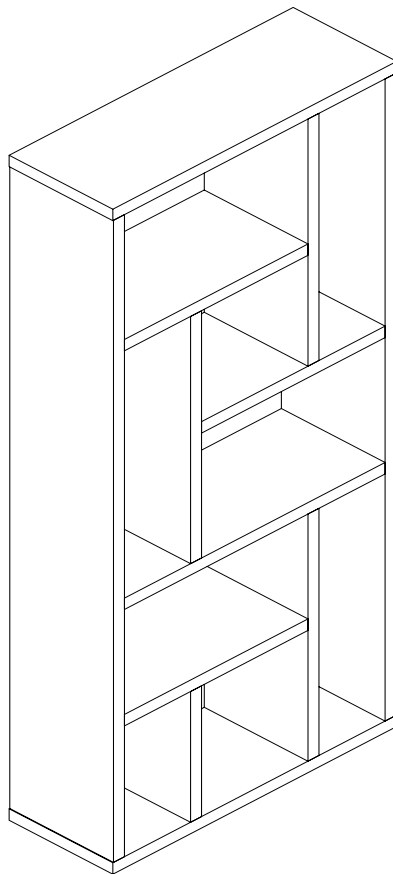
## PLEASE READ BEFORE ASSEMBLING!

Tip #1: Make sure you've taken all the pieces and hardware out of its packaging before discarding the box.

Tip #2: Using page 2 and/or page 3 of instruction manual make sure all pieces and hardware are accounted for.

Tip #3: Read manual before assembling, it helps!

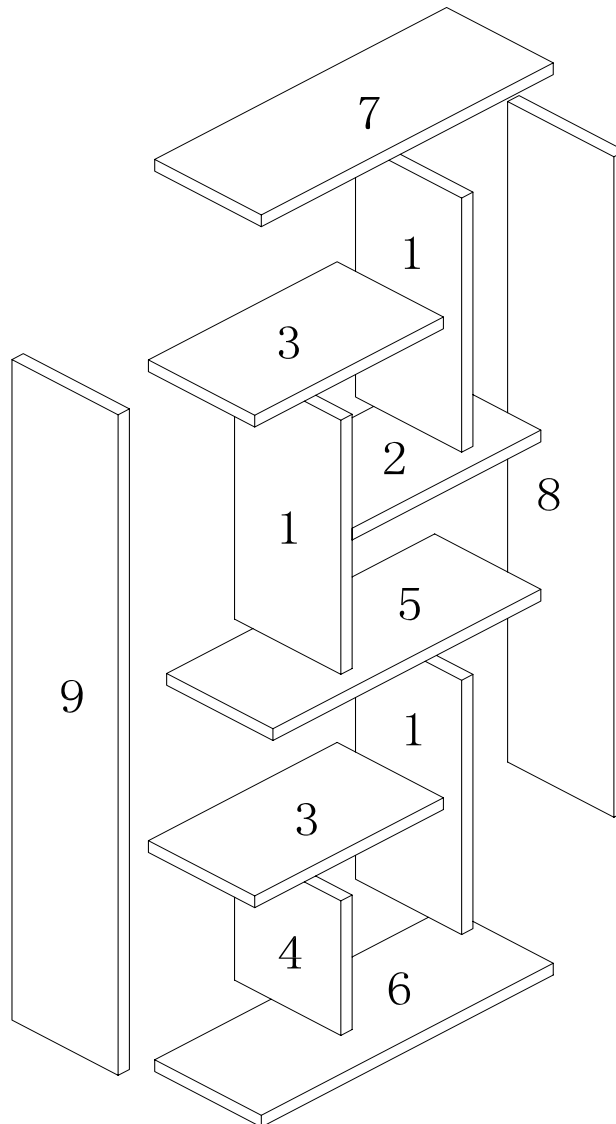
ITEM#: 11399



TOC20120625  
PAGE: 1 OF 6

# PARTS IDENTIFICATION

ITEM#: 11399


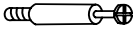


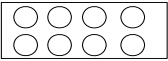
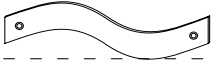
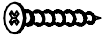
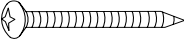
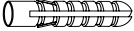



(1)	3pcs	(5)	1pc	(9)	1pc
(2)	1pc	(6)	1pc		
(3)	2pcs	(7)	1pc		
(4)	1pc	(8)	1pc		

PAGE: 2 OF 6

# HARDWARE IDENTIFICATION

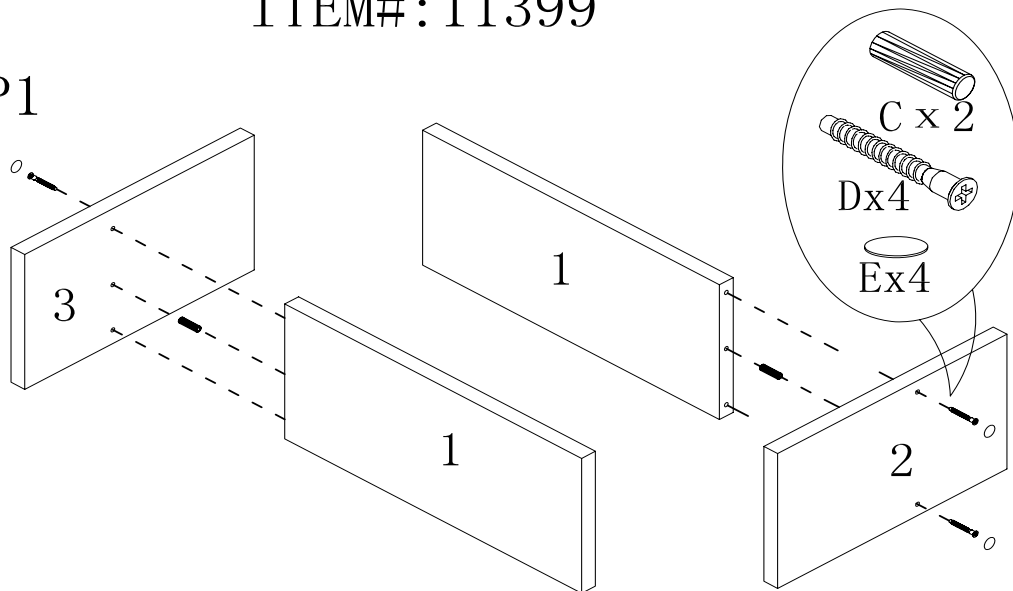
ITEM#: 11399

A		$\phi$ 15	16pcs
B		L29	16pcs
C		$\phi$ 8x25	20pcs
D		$\phi$ 7x58	24pcs
E		$\phi$ 18	40pcs
F			1pc
G		$\phi$ 4x25	1pc
H		$\phi$ 5x40	1pc
I			1pc
J		Glue: For securing please apply to wood dowel first before inserting into panel	1pc

# ASSEMBLY INSTRUCTION

ITEM#: 11399

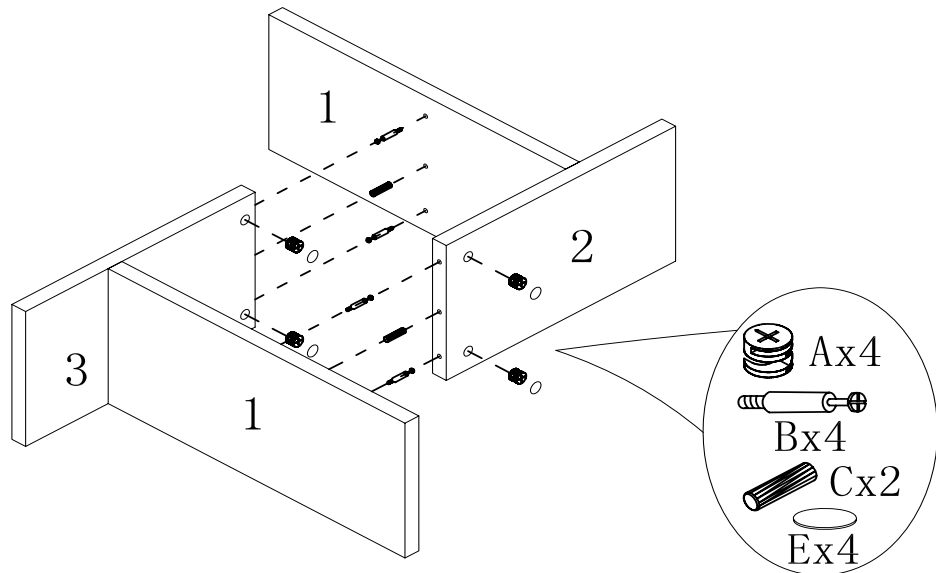
STEP1



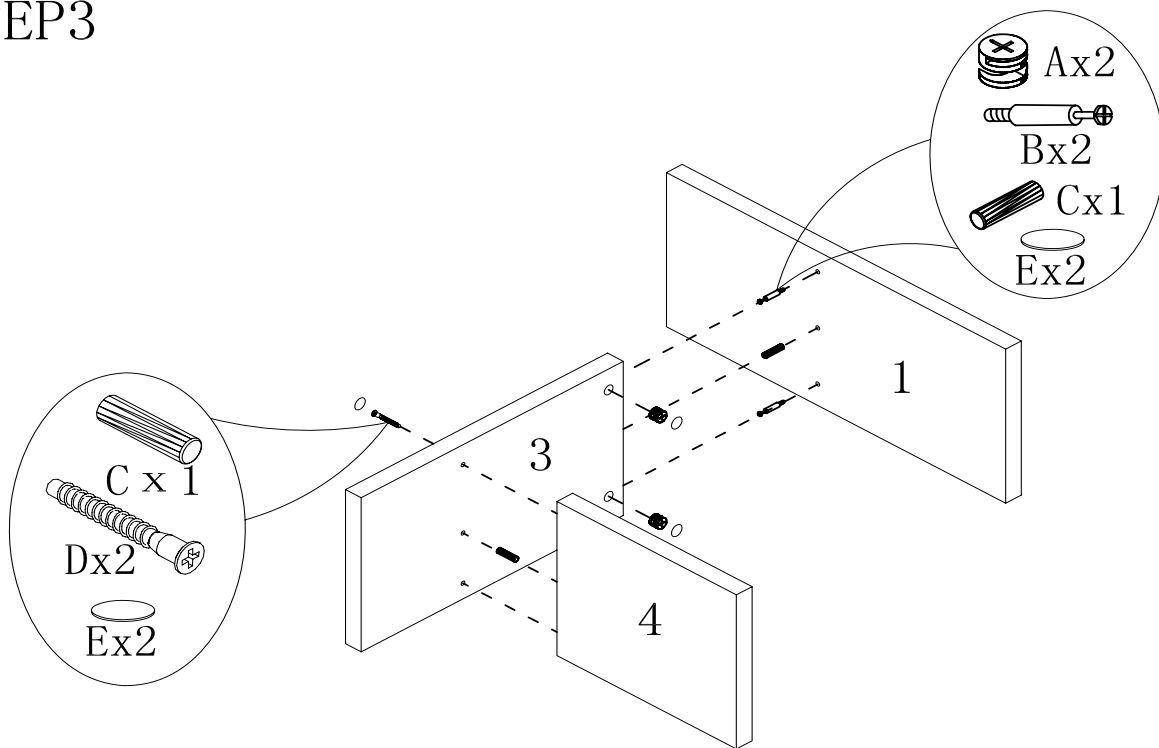
PAGE: 3 OF 6

# ASSEMBLY INSTRUCTION

ITEM#: 11399



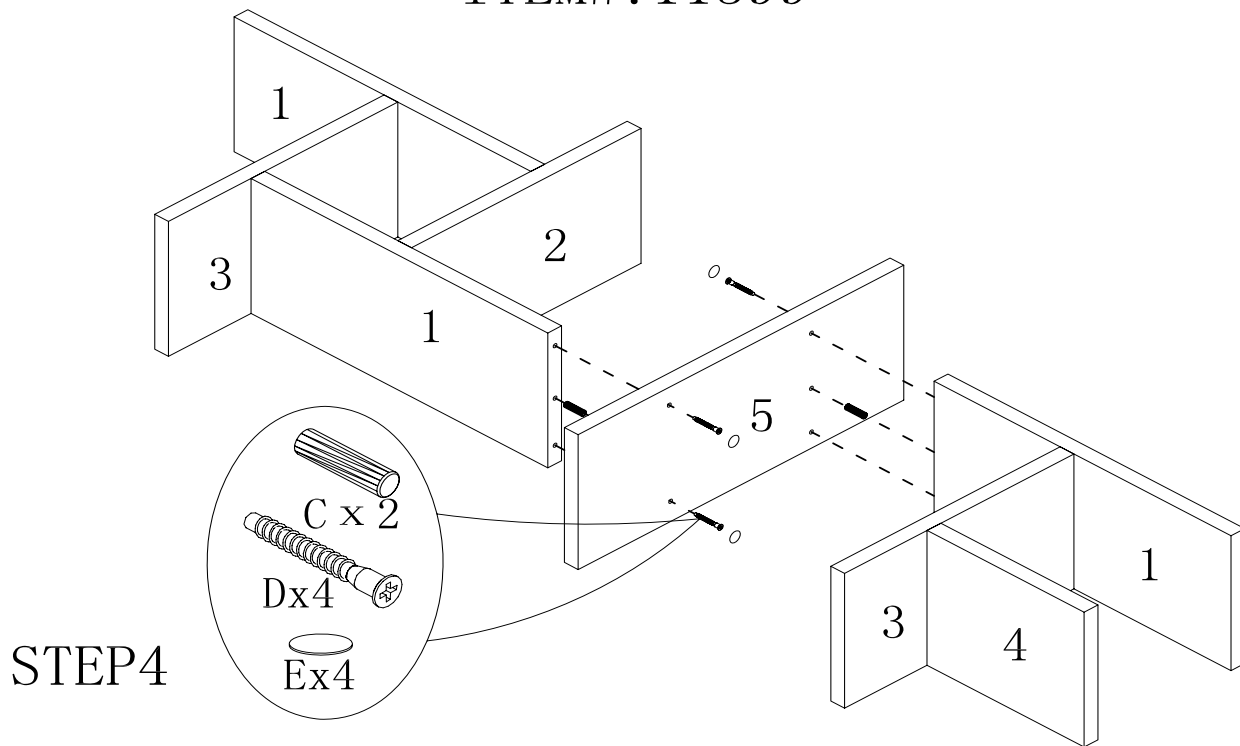
STEP 3



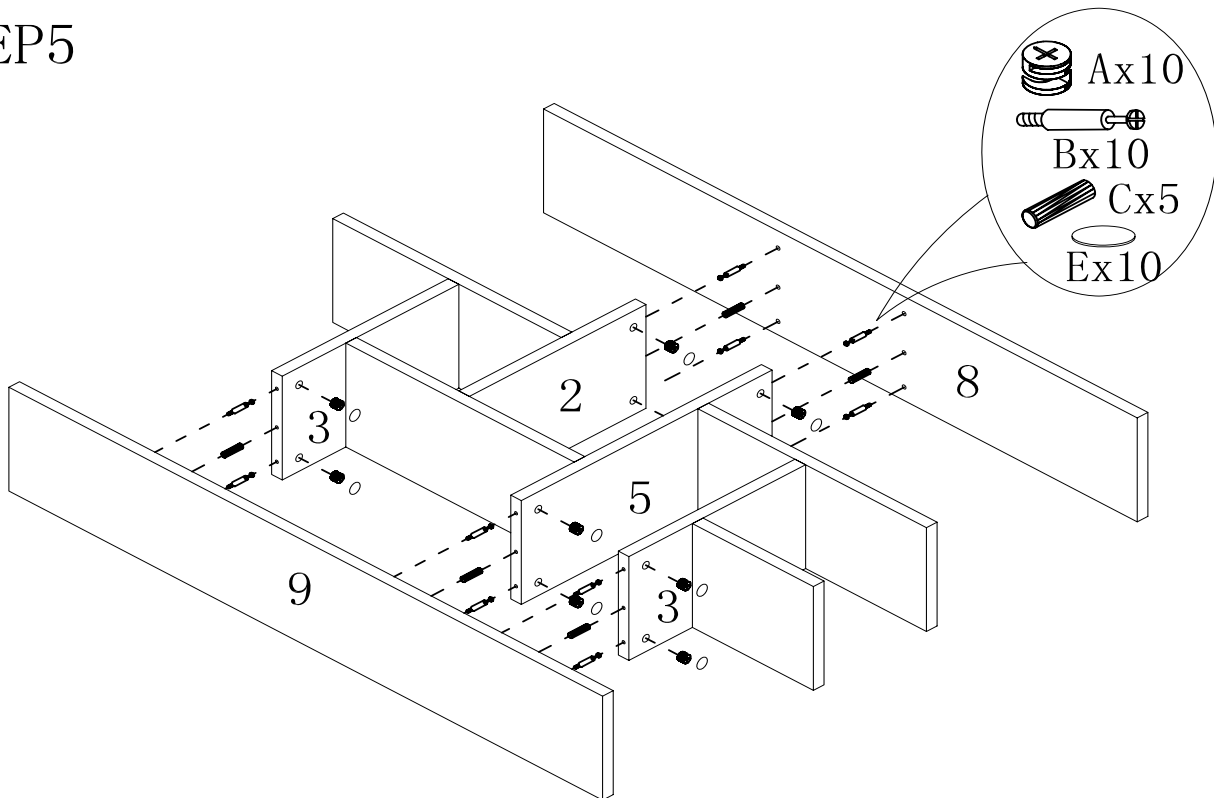
PAGE: 4 OF 6

# ASSEMBLY INSTRUCTION

ITEM#: 11399



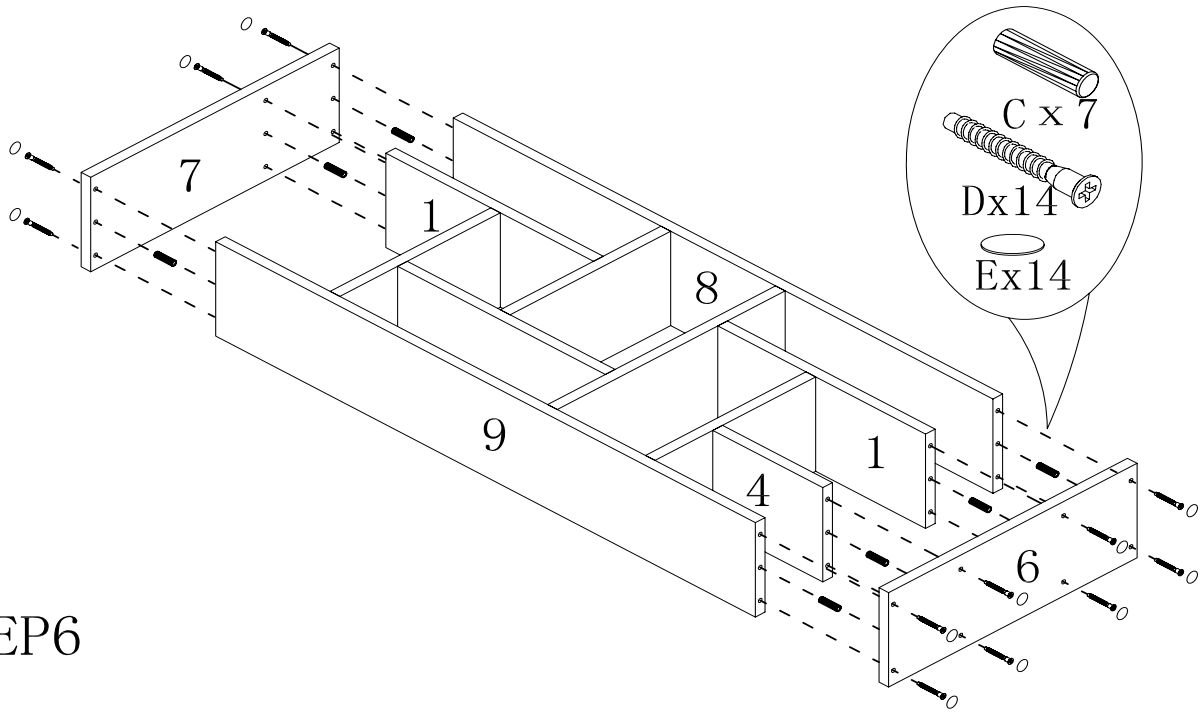
STEP 5



PAGE: 5 OF 6

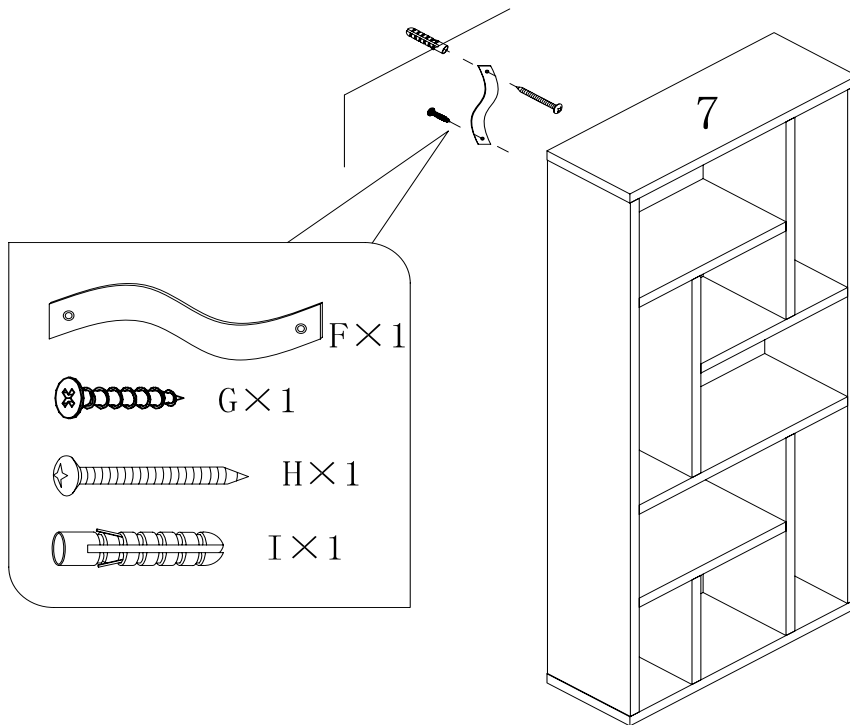
# ASSEMBLY INSTRUCTION

ITEM#: 11399



STEP6

STEP7



PAGE: 6 OF 6