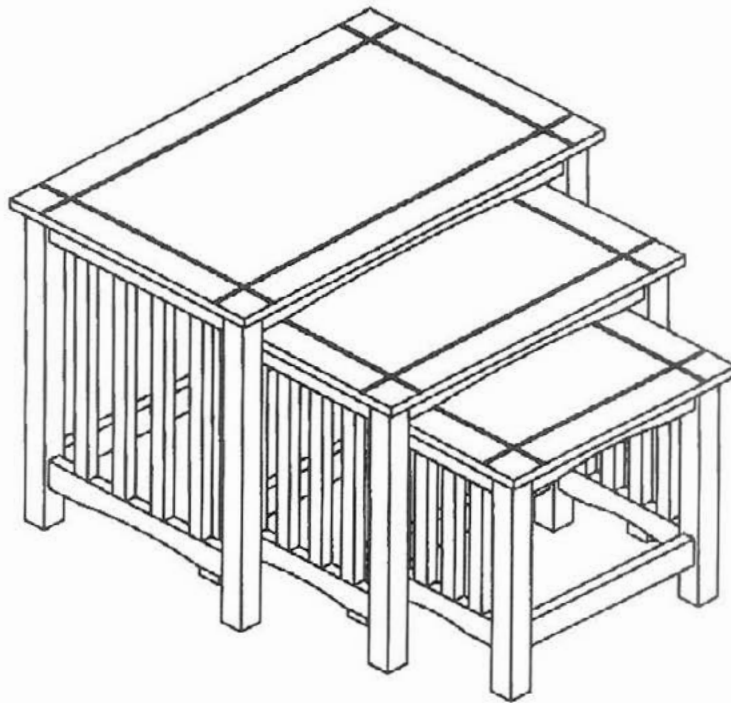
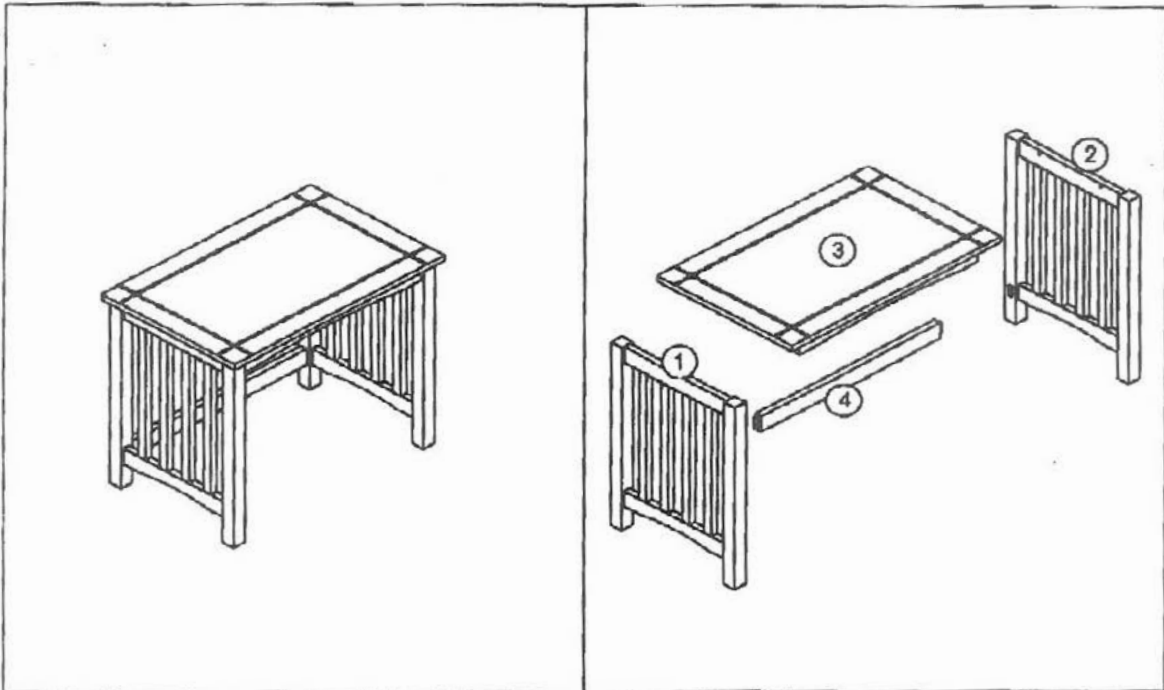


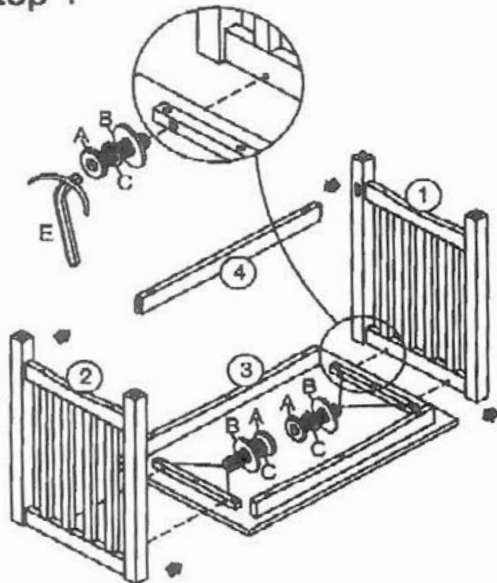
## NESTING TABLE



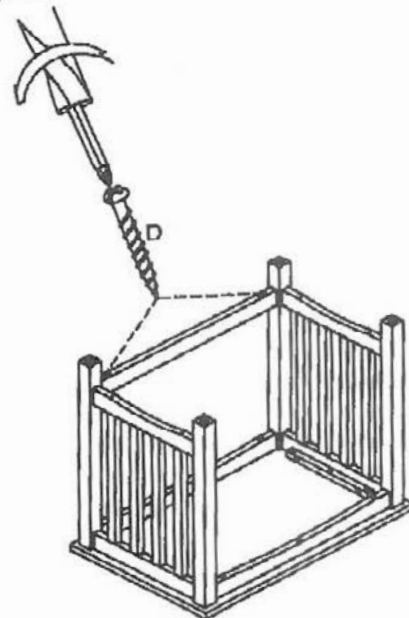
**DO NOT TIGHTEN SCREW UNTIL COMPLETELY ASSEMBLED**






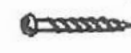

Step 1

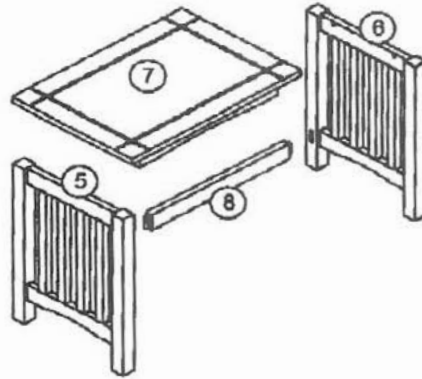


Step 2

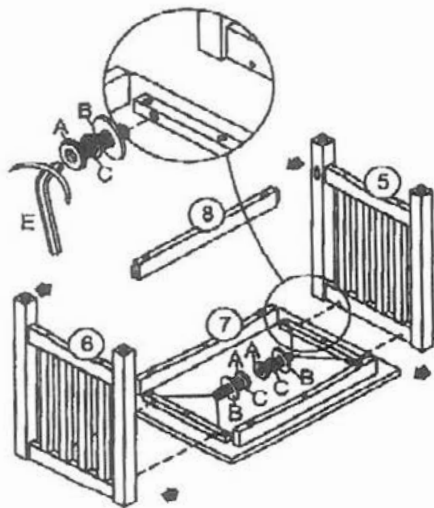


Hardware

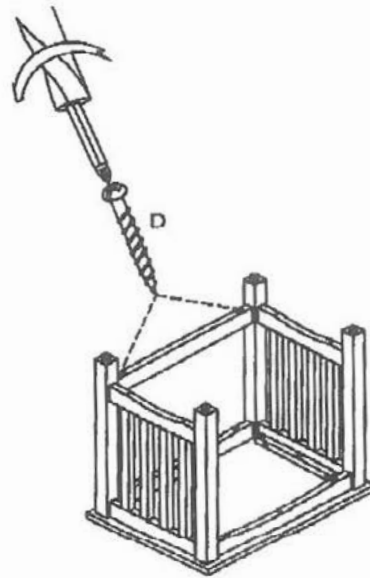
<p>A 12 PCS</p>  <p>Ø1/4" x 30mm</p>	<p>B 12 PCS</p>  <p>Ø1/4" x 19mm</p>	<p>C 12 PCS</p>  <p>Ø1/4" x 10mm</p>	<p>D 8 PCS</p>  <p>Ø4mm x 45mm</p>	<p>E 1 PC</p>  <p>M4 x 60mm</p>
---	---	---	--	--

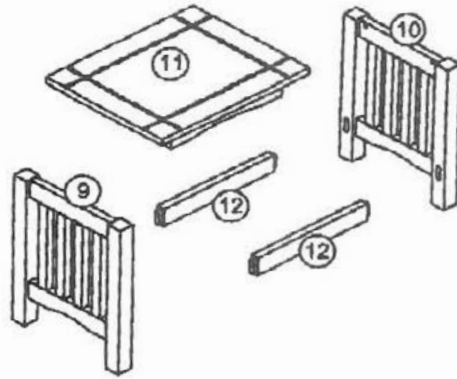
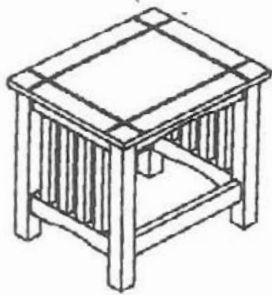


Step 1

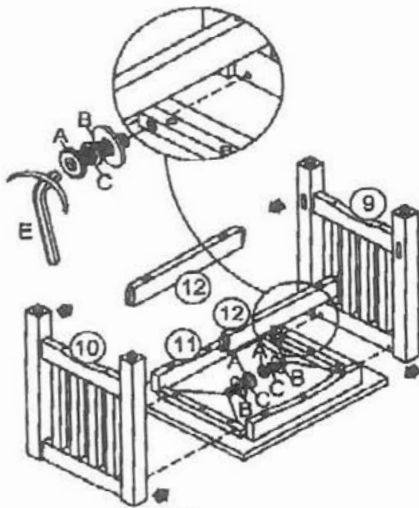


Step 2





Step 1



Step 2

