



Examine all packaging material for small parts that may have come loose during shipment. Periodic checks are recommended to insure that all components are in proper position, tight and free from damage. Keep this assembly instruction for future reference. Adult assembly is required. Customer Service Phone Number: 502-562-0000

**HARDWARE LIST**

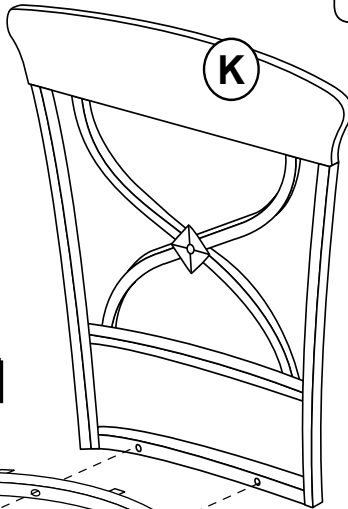
- A (8) 1/4" x 1-1/8" Allen Bolts
- B (8) 1/4" x 1/2" Allen Bolts
- C (9) 1/4" x 5/8" Allen Bolts
- D (25) 1/4" Spring Washers
- E (16) 1/4" Small Flat Washers
- F (7) 1/4" Large Flat Washers
- G (7) 1/4" Large Flat Washers
- H (2) 1/4" Camber Washers
- H (4) 5 x 30mm Wood Screws
- J (1) 1/4" Allen Wrench

**PARTS LIST**

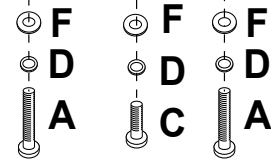
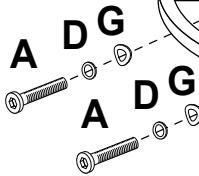
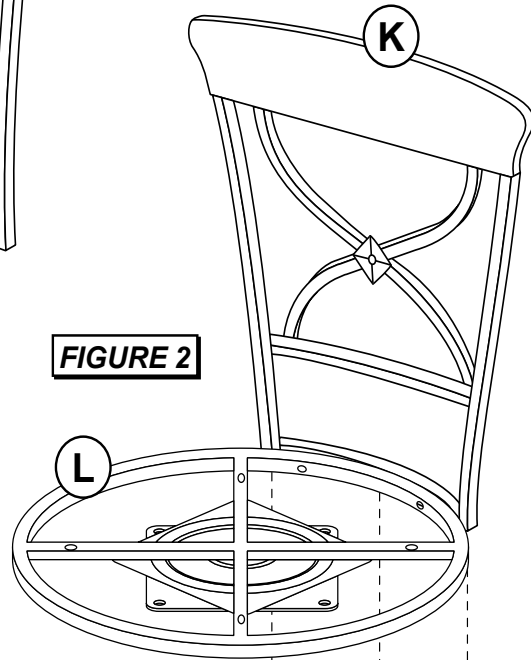
- K (1) Stool Back
- L (1) Seat Base
- M (1) Stool Base
- N (4) Legs
- P (1) Support Ring
- R (1) Seat Cushion

PART	QTY	HARDWARE	PART	QTY	HARDWARE
A	8		B	8	
C	9		D	25	
E	16		F	7	
G	2		H	4	
J	1				

**FIGURE 1**



**FIGURE 2**



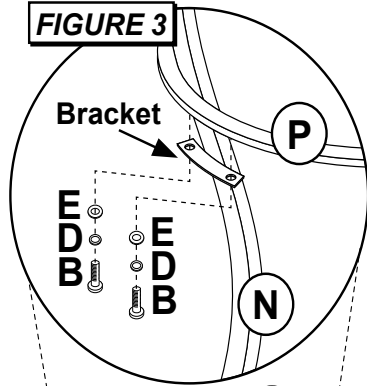
**STEP 1**

Begin assembly by attaching the Stool Back (K) to the Seat Base (L) using 2 Allen Bolts (A), 2 Spring Washers (D) & 2 Camber Washers (G) from the inside (See **Figure 1**); as well as 2 Allen Bolts (A), 1 Allen Bolt (C), 3 Spring Washers (D) & 3 Large Flat Washers (F) from the outer backside (See **Figure 2**). Tighten all bolts using the Allen Wrench (J) to secure in place.

TOC20120620

**CARE & MAINTENANCE:** The touch of a soft cloth is all the maintenance the finish will ever need. Please do not use harsh or abrasive cleaners for polishing, as they may cause damage to the finish. Periodic checks are recommended to make sure that all bolts, screws and nuts are securely tightened.

**FIGURE 3**

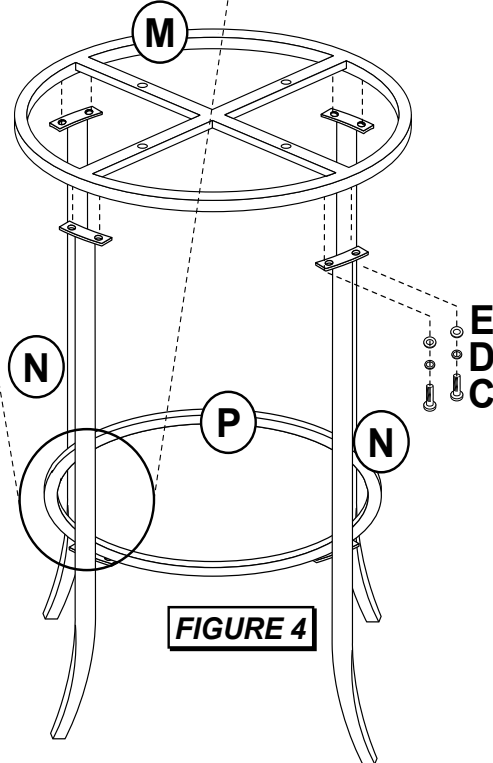


**STEP 2**

Next, attach the Legs (N) to the bottom of the Stool Base (M) using 2 Allen Bolts (C), 2 Spring Washers (D) & 2 Small Flat Washers (E) per each leg. Do not fully tighten bolts. See **Figure 4**.

**STEP 3**

Attach the Support Ring (P) to the bracket outside of the Legs (N) using 2 Allen Bolts (B), 2 Spring Washers (D) & 2 Small Flat Washers (E). See **Figure 3**. Tighten all bolts from Steps 2 & 3.



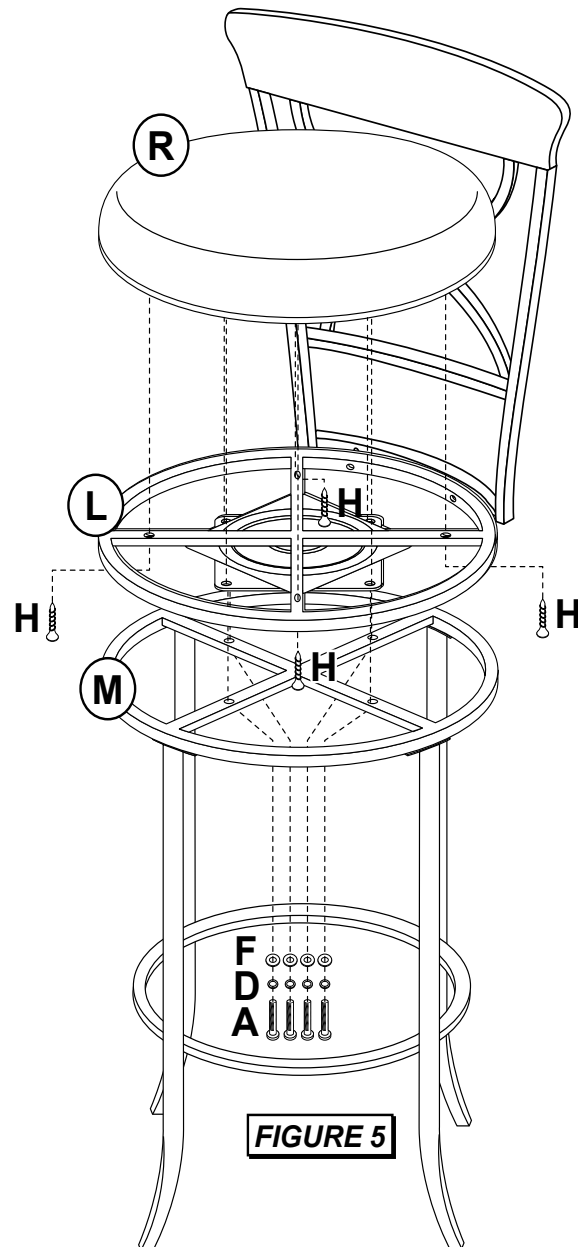
**FIGURE 4**

**STEP 4**

Attach the Seat Cushion (R) to the top of the Seat Base (L) using 4 Wood Screws (H) to secure in place. See **Figure 5**. Tighten all screws only using a philips head screwdriver (not included). Do not over tighten.

**STEP 5**

Finally, attach the Seat Base (L) to the Stool Base (M) at the swivel metal plate from the bottom using 4 Allen Bolts (A), 4 Spring Washers (D) & 4 Large Flat Washers (F) to secure in place. See **Figure 5**. Tighten all bolts. The assembly is now complete.



**FIGURE 5**

**CARE & MAINTENANCE:** The touch of a soft cloth is all the maintenance the finish will ever need. Please do not use harsh or abrasive cleaners for polishing, as they may cause damage to the finish. Periodic checks are recommended to make sure that all bolts, screws and nuts are securely tightened.