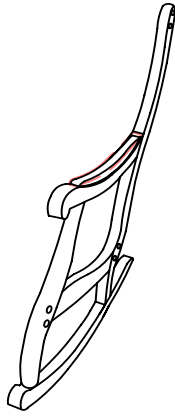


A



2PCS

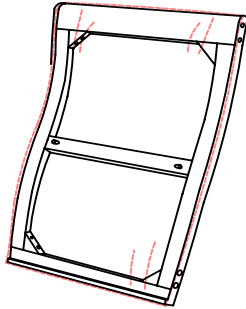
E



Φ 1/4"

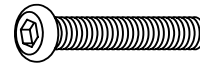
12PCS

B



1PC

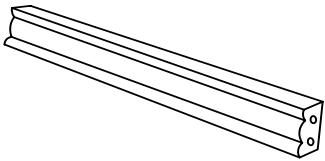
F



Φ 1/4" \* 1-3/4" L

12PCS

C



1PC

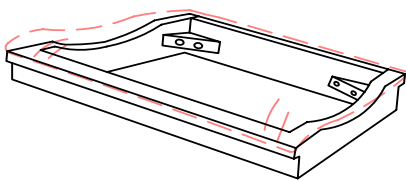
G



4mm

1PC

D



1PC

H



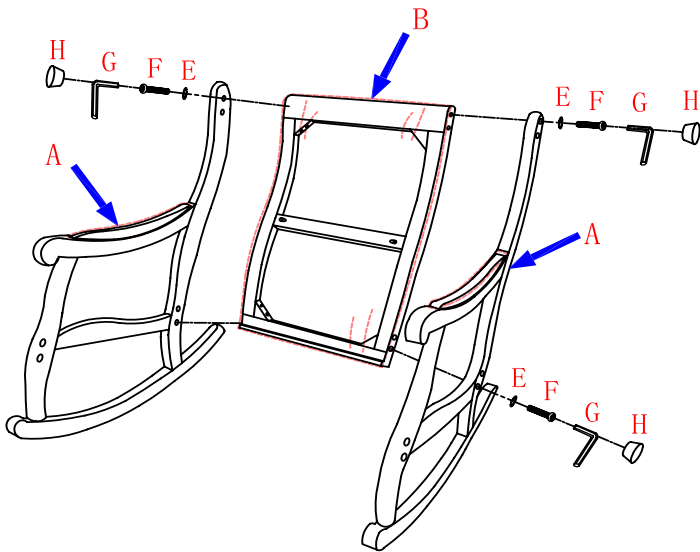
Φ 14mm

TOC20120620  
12PCS

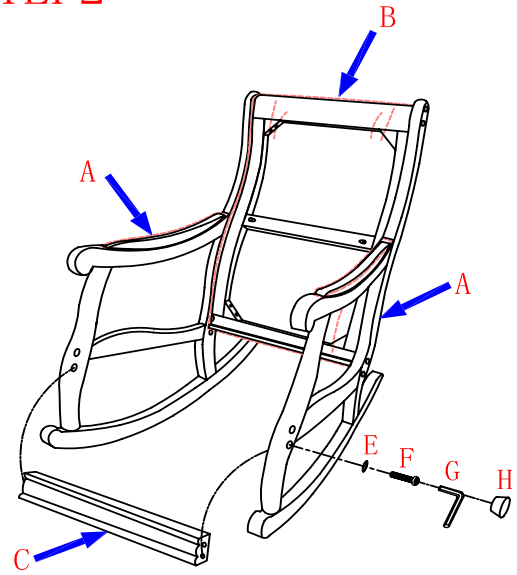
# ASSEMBLY INSTRUCTIONS

ITEM NO : 408-01

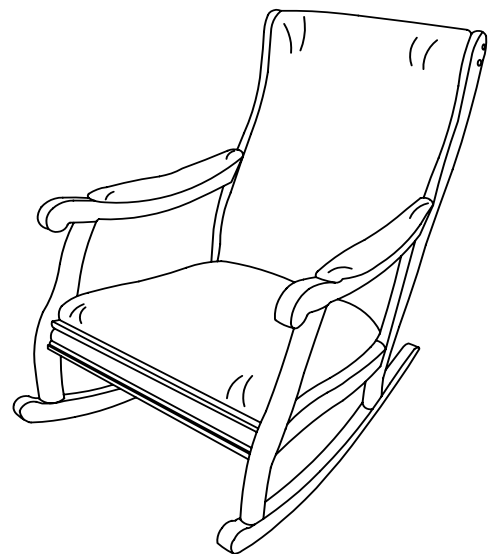
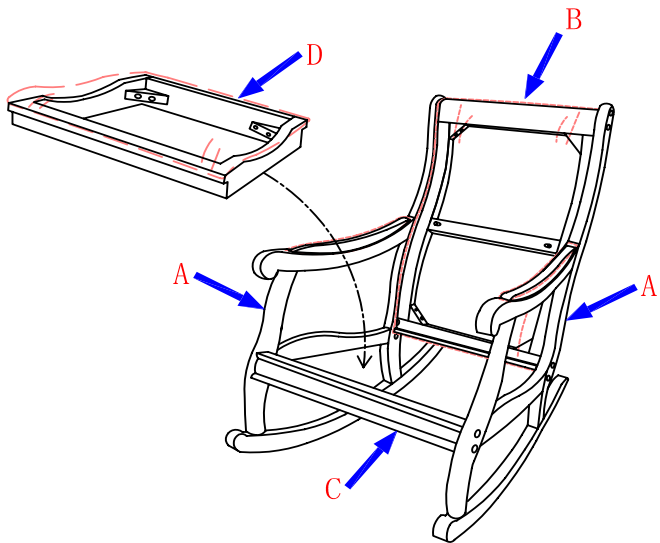
## STEP1



## STEP2



## STEP3



**DO NOT TIGHTEN SCREWS UNTIL COMPLETELY ASSEMBLED!**