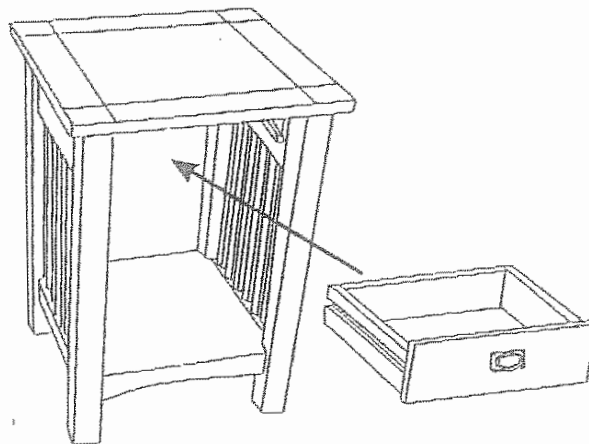
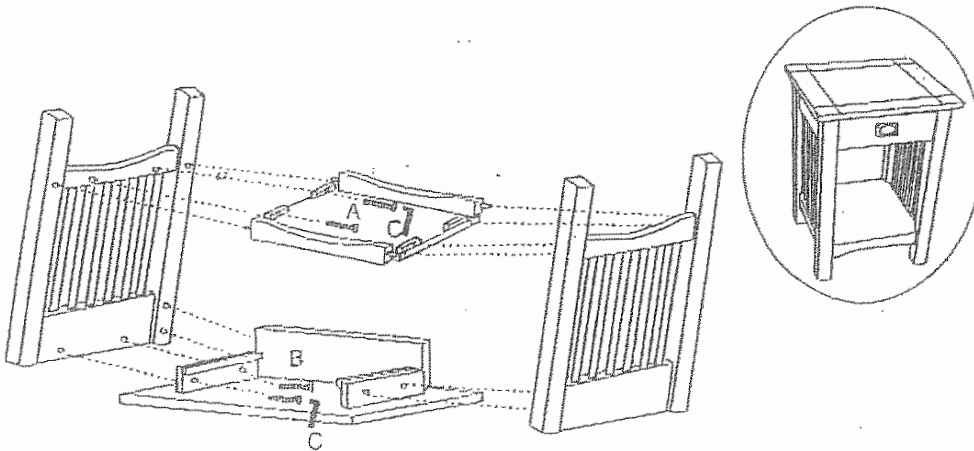
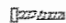
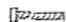



# ASSEMBLY INSTRUCTIONS

SCO-209



NO	DESCRIPTION	SHAPE	SIZE	QTY
A	SCREW		1/4" X 1 1/4"	4PCS
B	SCREW		1/4" X 1"	4PCS
C	K/D KEY		4mm	1PC

TOC20120618