

WEST PALM STOOLS

Model #4330-824 Handpainted Swivel Counter Stool

Model #4330-830 Handpainted Swivel Barstool

Model #4624-827 Non-Handpaint Swivel Counter Stool

Model #4624-831 Non-Handpaint Swivel Barstool

Date: 05-31-05

Examine all packaging material for small parts that may have come loose during shipment. Periodic checks are recommended to insure that all components are in proper position, tight and free from damage. Keep this assembly instruction for future reference. Adult assembly required.

HARDWARE LIST

- A (6) Medium Allen Bolts
- B (10) Metal Washers
- C (18) Spring Washers
- D (12) Short Allen Bolts
- E (4) Long Allen Bolts
- F (4) Wood Screws
- G (12) Camber Washers
- H (1) Allen Wrench

PARTS LIST

- J (1) Back Panel
- K (1) Seat Base
- L (2) Leg Panels
- M (1) Top Ring
- N (1) Bottom Ring
- P (1) Seat Cushion
- R (1) Support Ring

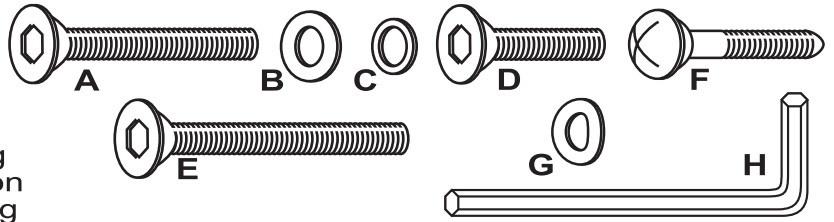


FIGURE 1

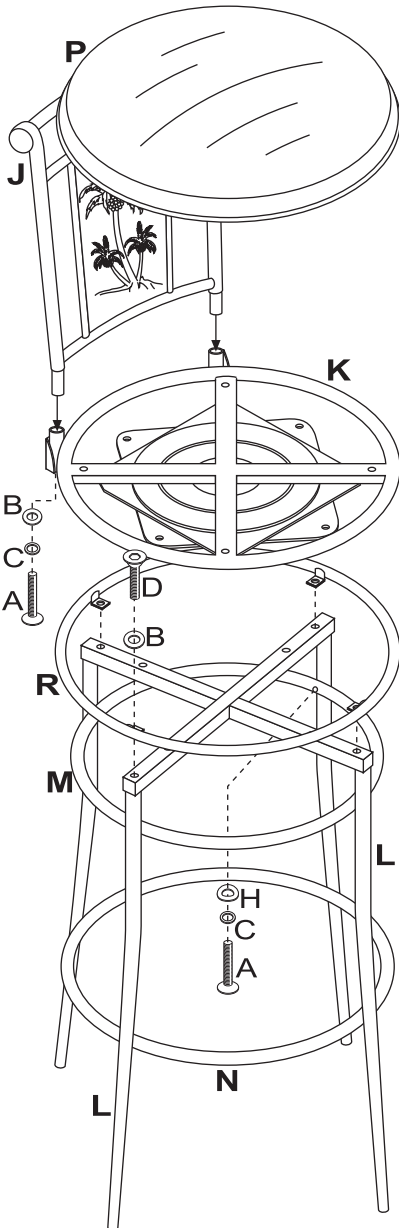
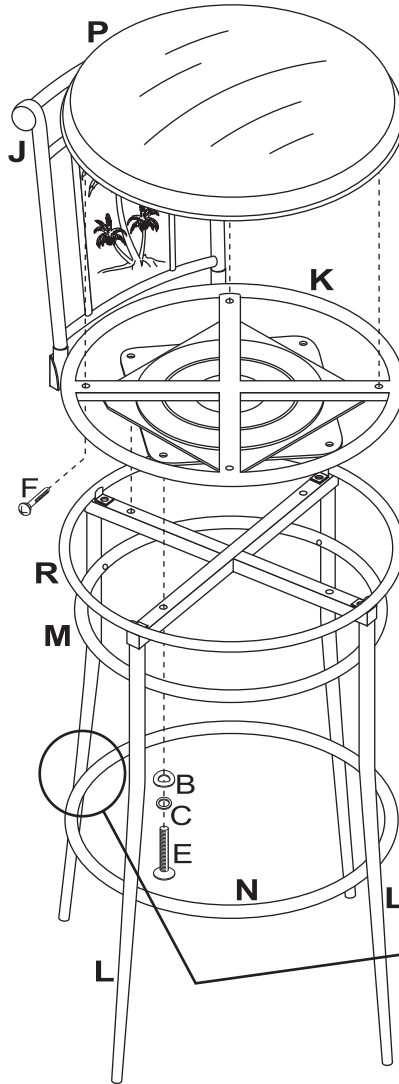


FIGURE 2



STEP 1 ~ Begin assembly, by attaching Back Panel (J) to Seat Base (K), using 2 Medium Allen Bolts (A), 2 Spring Washers (C) & 2 Metal Washers (B) in the back where each metal piece is inserted into round openings. Tighten all bolts. See Figure 1.

STEP 2 ~ Next, attach both Leg Panels (L) by crossing them between each other, and attach Top Ring (M) to each panel using 1 Medium Allen Bolt (A), 1 Spring Washer (C) & 1 Camber Washer (H) per each leg. Only tighten bolts by hand for this step. See Figure 1.

STEP 3 ~ Next, attach Support Ring (R) to both Leg Panels (L), using 4 Small Allen Bolts (D) & 4 Metal Washers (B) to hold in place. Tabs on Support Ring should be flush with each cross-arm that braces each panel and facing down. Only tighten bolts by hand for this step. See Figure 2.

STEP 4 ~ Attach Bottom Ring (N) to both Leg Panels (L) using 2 Short Allen Bolts (D), 2 Spring Washers (C) & 2 Camber Washers (H) per each leg. Tighten all bolts from steps 2 & 3. See Figure 3.

STEP 5 ~ Attach remaining stool pieces, the top section and the bottom section by attaching swivel piece connected to Seat Base (H) to both Leg Panels (J), using 4 Long Allen Bolts (E), 4 Spring Washers (C) & 4 Metal Washers (B) to hold in place. Tighten all bolts. See Figure 2.

STEP 6 ~ Attach Seat Cushion (P) to Seat Base (K), using 4 Wood Screws (F) to hold in place. Assembly is now complete.

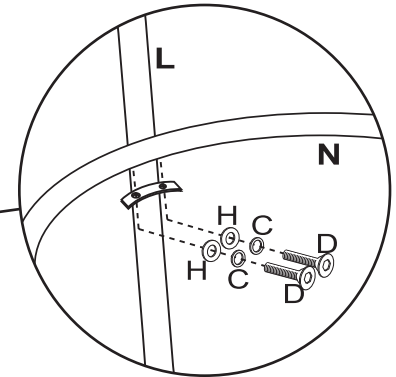


FIGURE 3

CARE & MAINTENANCE: The touch of a soft cloth is all the maintenance the finish of your new Stool will ever need. Never use harsh or abrasive cleaners for polishing. Periodic checks are recommended to make sure that all bolts are securely tightened.